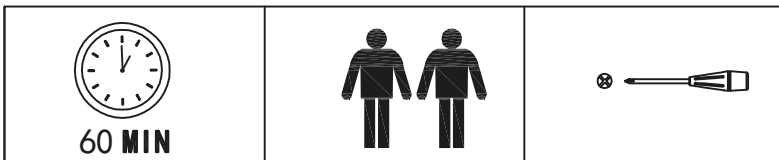
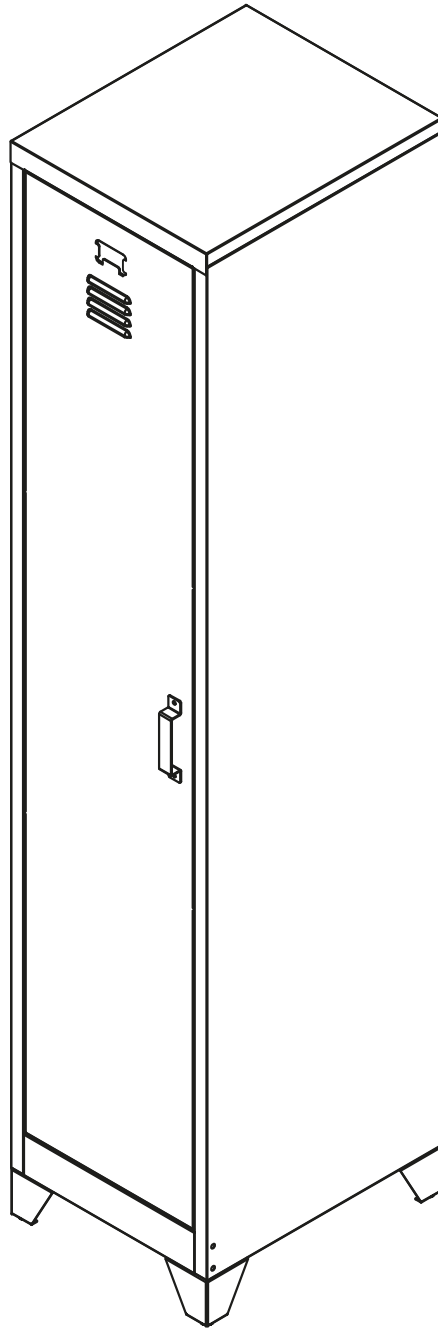












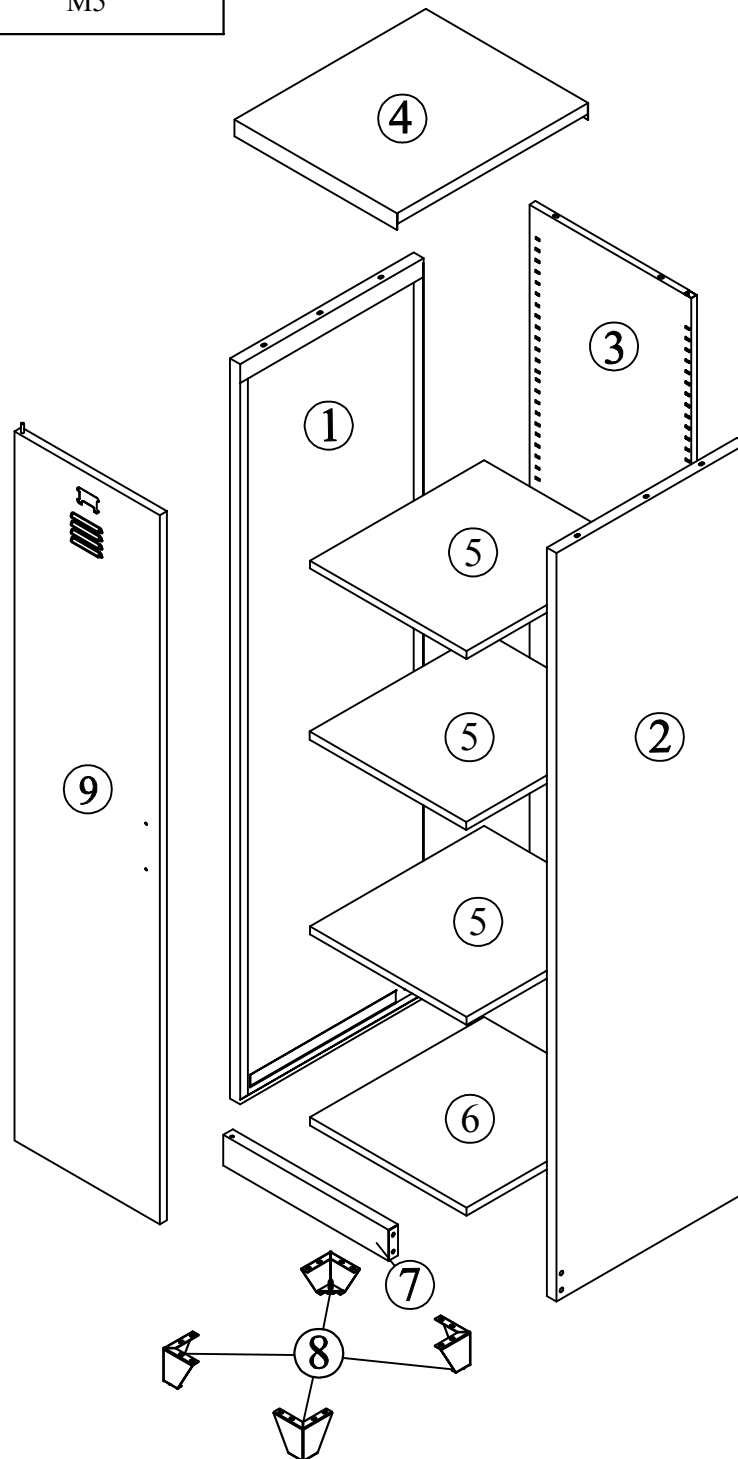


CAS

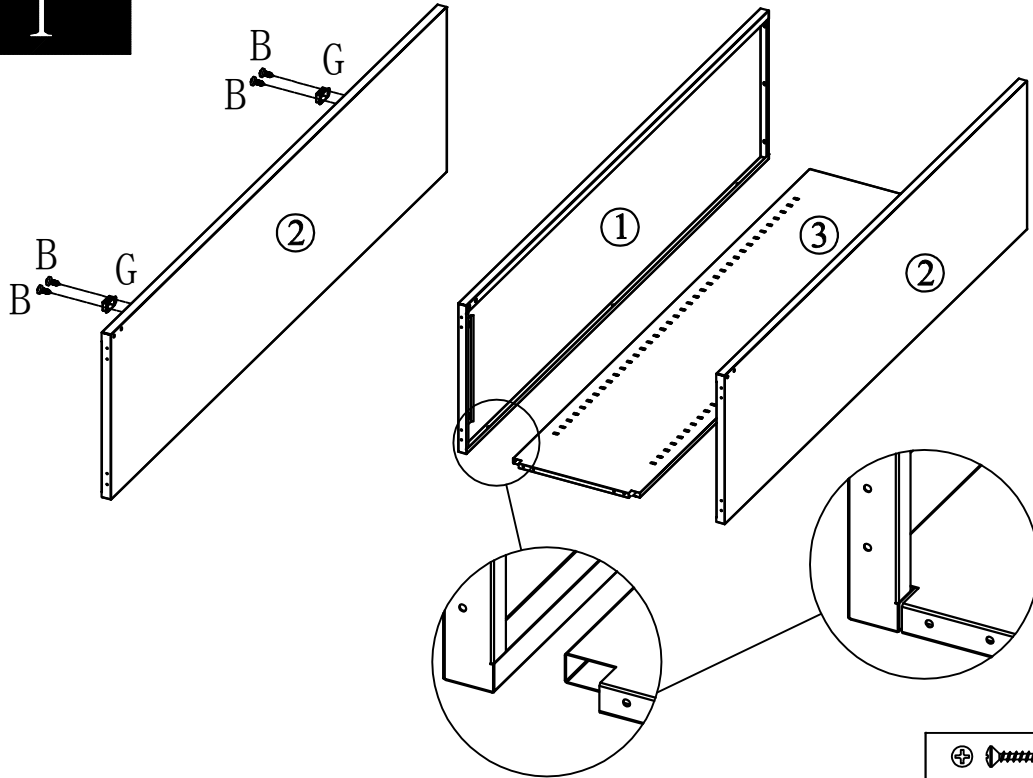
1-door locker cabinet





A	X4	B	X34	C	X2	D	X2	E	X1
 M6*40mm		 M4.8*13mm		 M5*10mm		 M5			
F	X12	G	X2	H	X2	I	X2	J	X2
								 M4*40mm	
K	X2	L	X2						
 φ8		 M5							

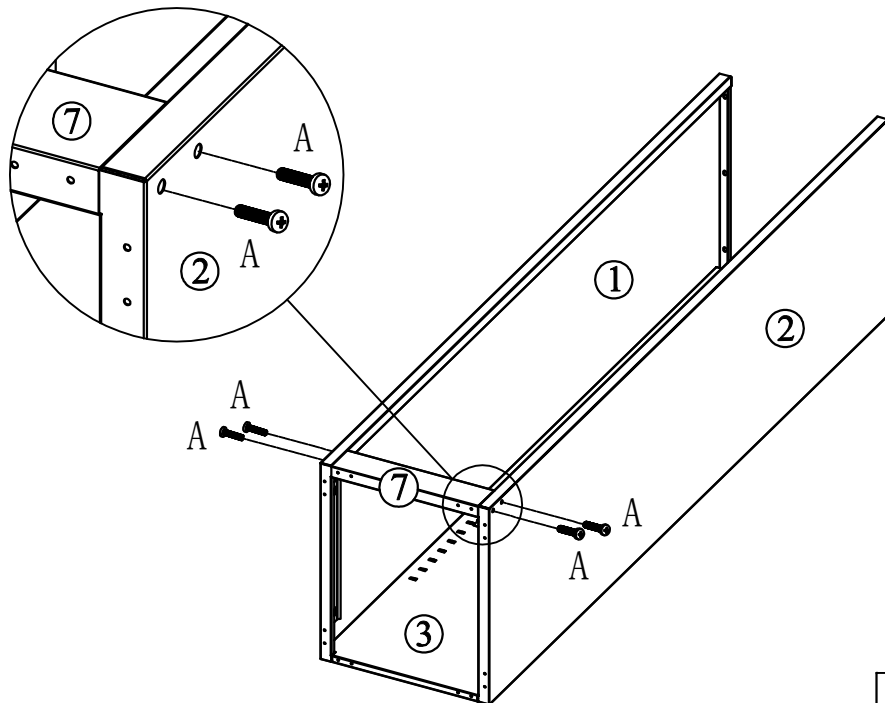



1



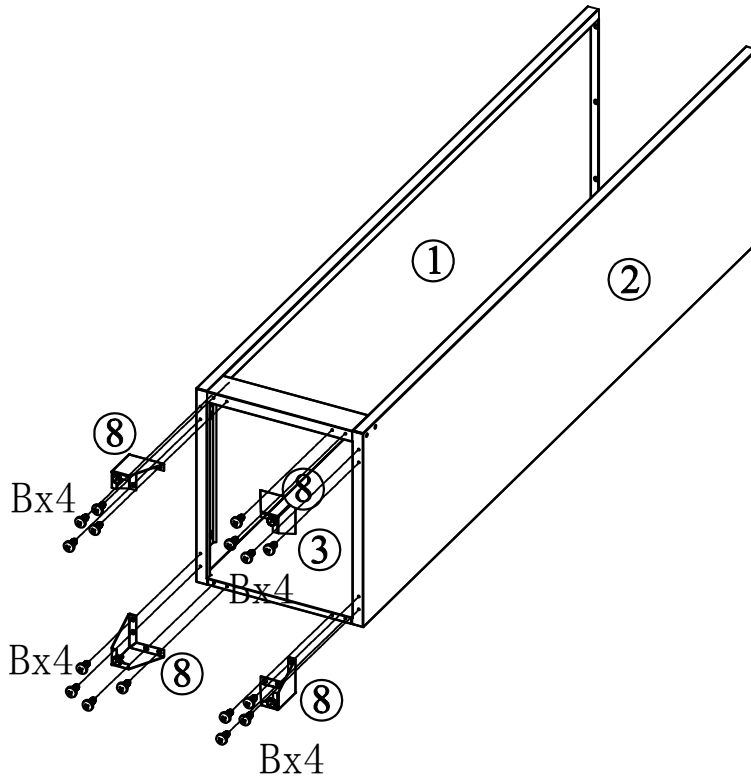
 $B \times 4$	 $G \times 2$
--	--

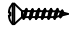
2



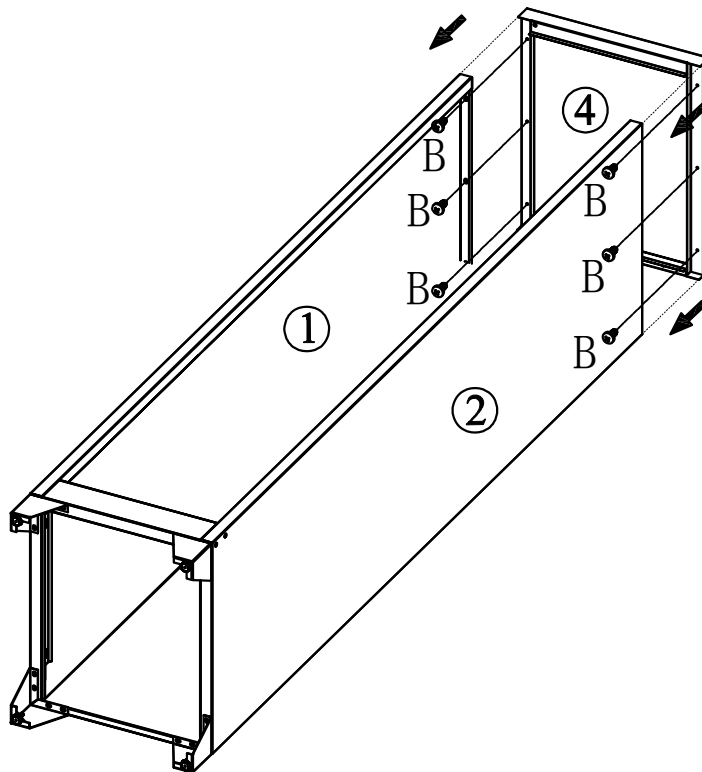
 $A \times 4$
--

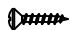
3



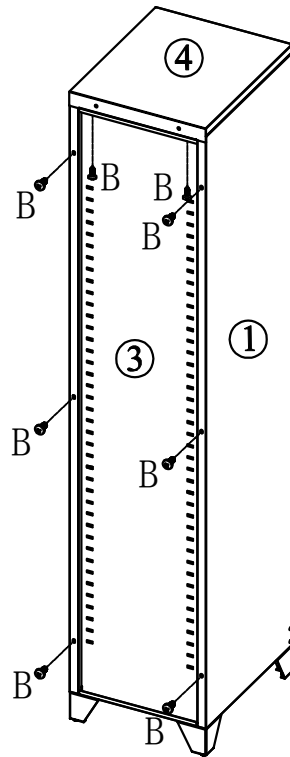
⊕ 
B x 16

4



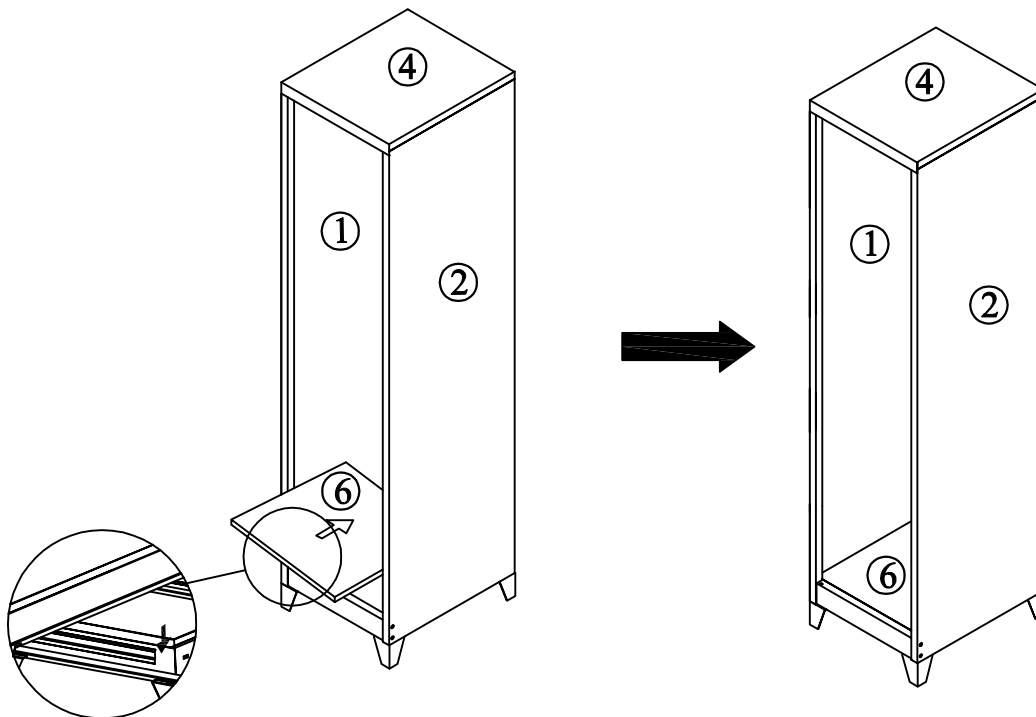
⊕ 
B x 6

5

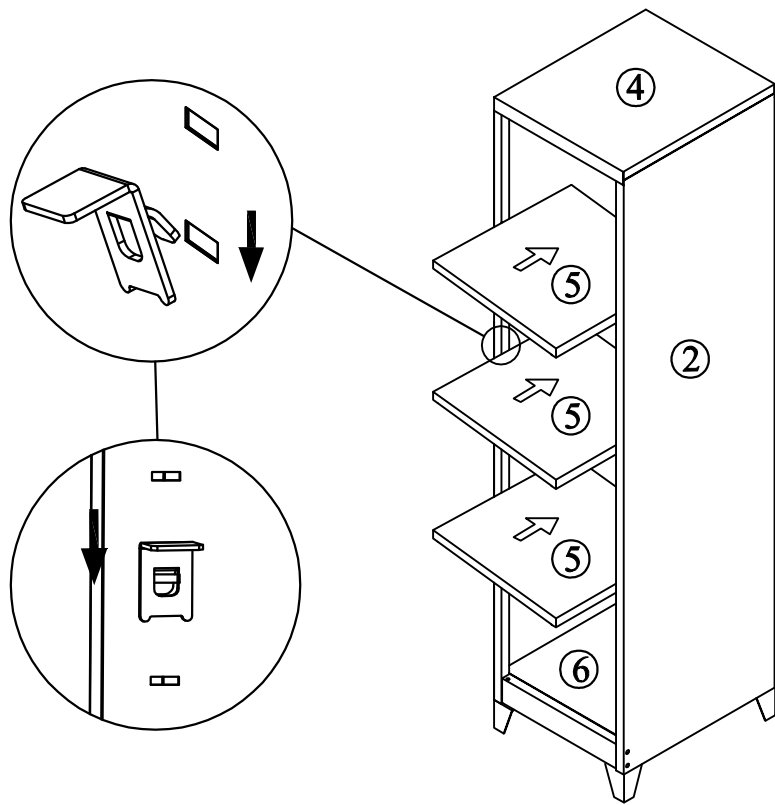



⊕ 
B x 8

6

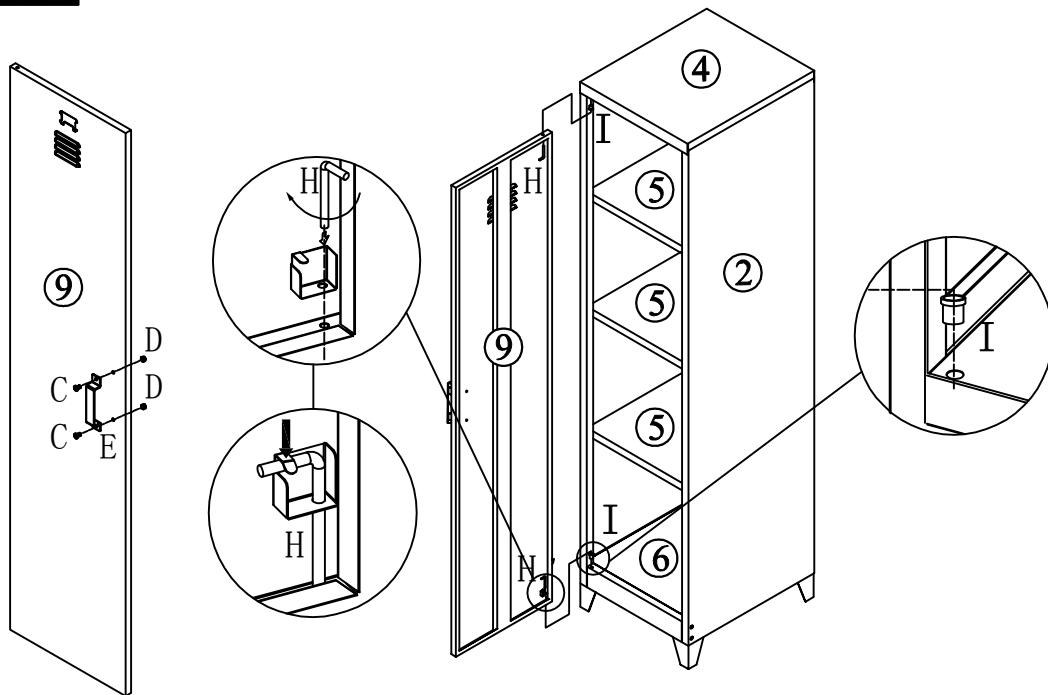


7



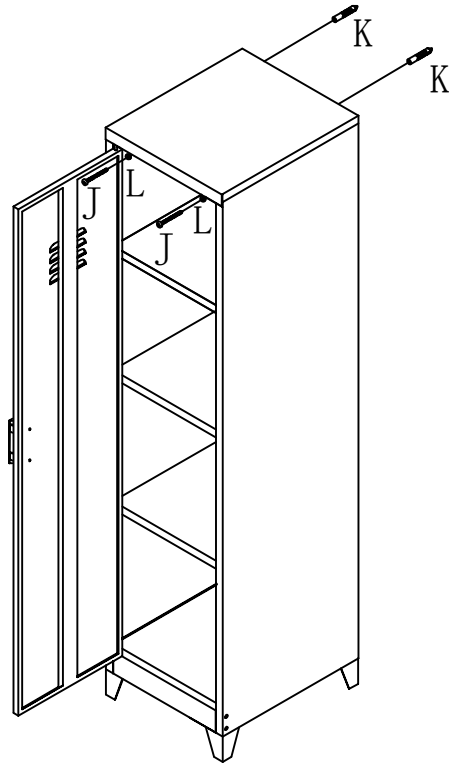
 F x 12




8



 C x 2	 D x 2	 E x 1	 H x 2	 I x 2
---	---	---	---	---

9



		
J x 2	K x 2	L x 2

10

