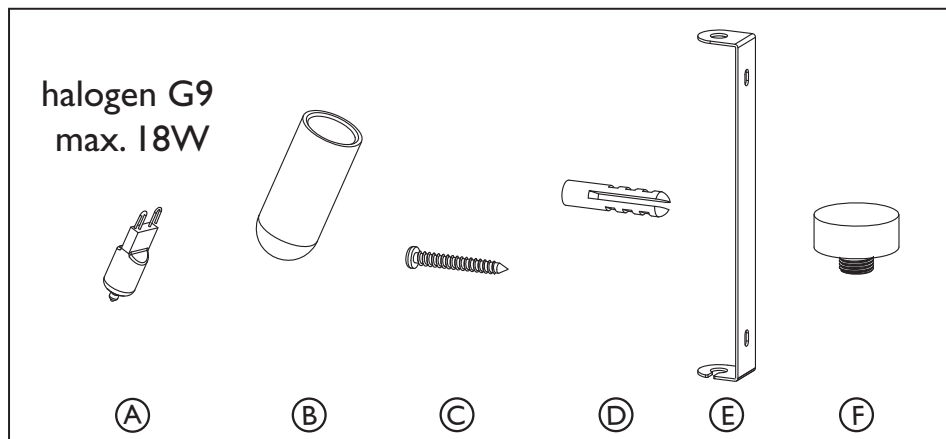
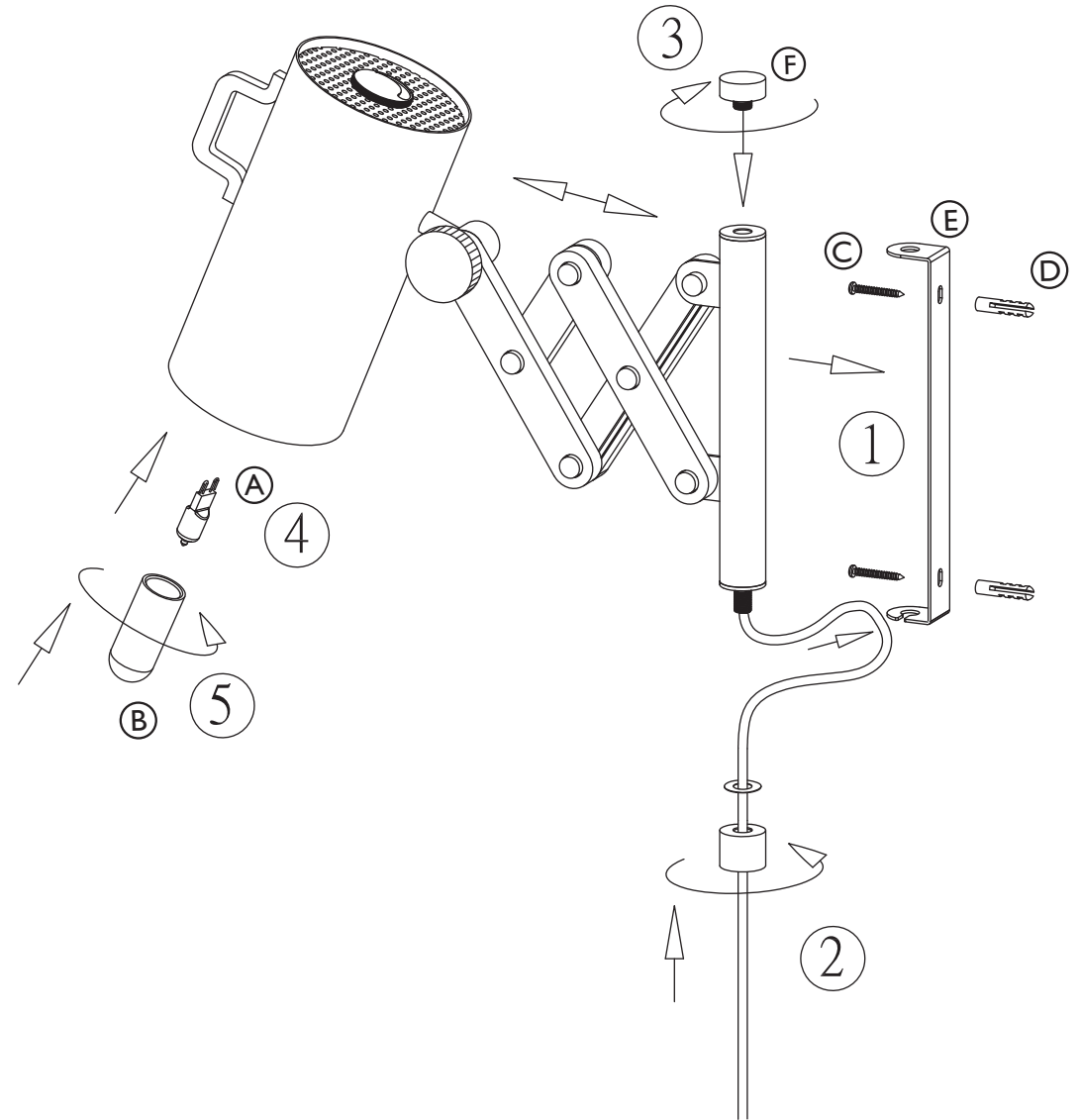
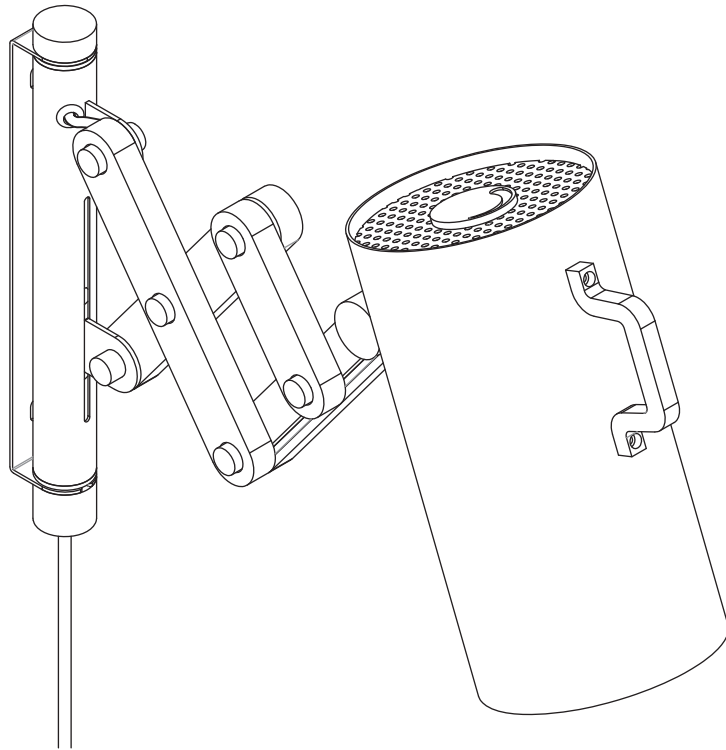


# ASSEMBLY INSTRUCTIONS

5400005, 5400006 WALL LAMP FLEX

zuiver<sup>o</sup>



**Caution :** If the external flexible cable or cord of this luminaire is damaged, it should be replaced by a qualified person in order to avoid a hazard.