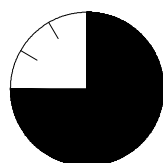
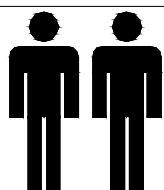
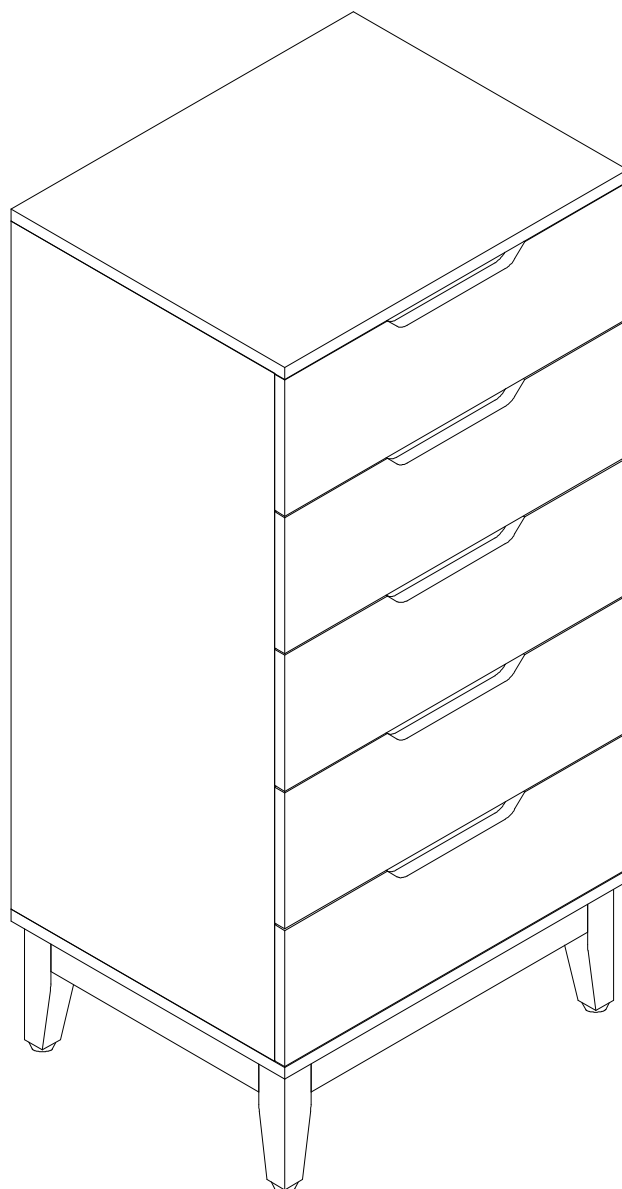
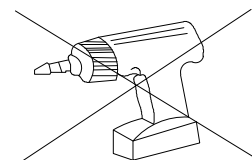
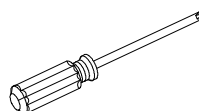


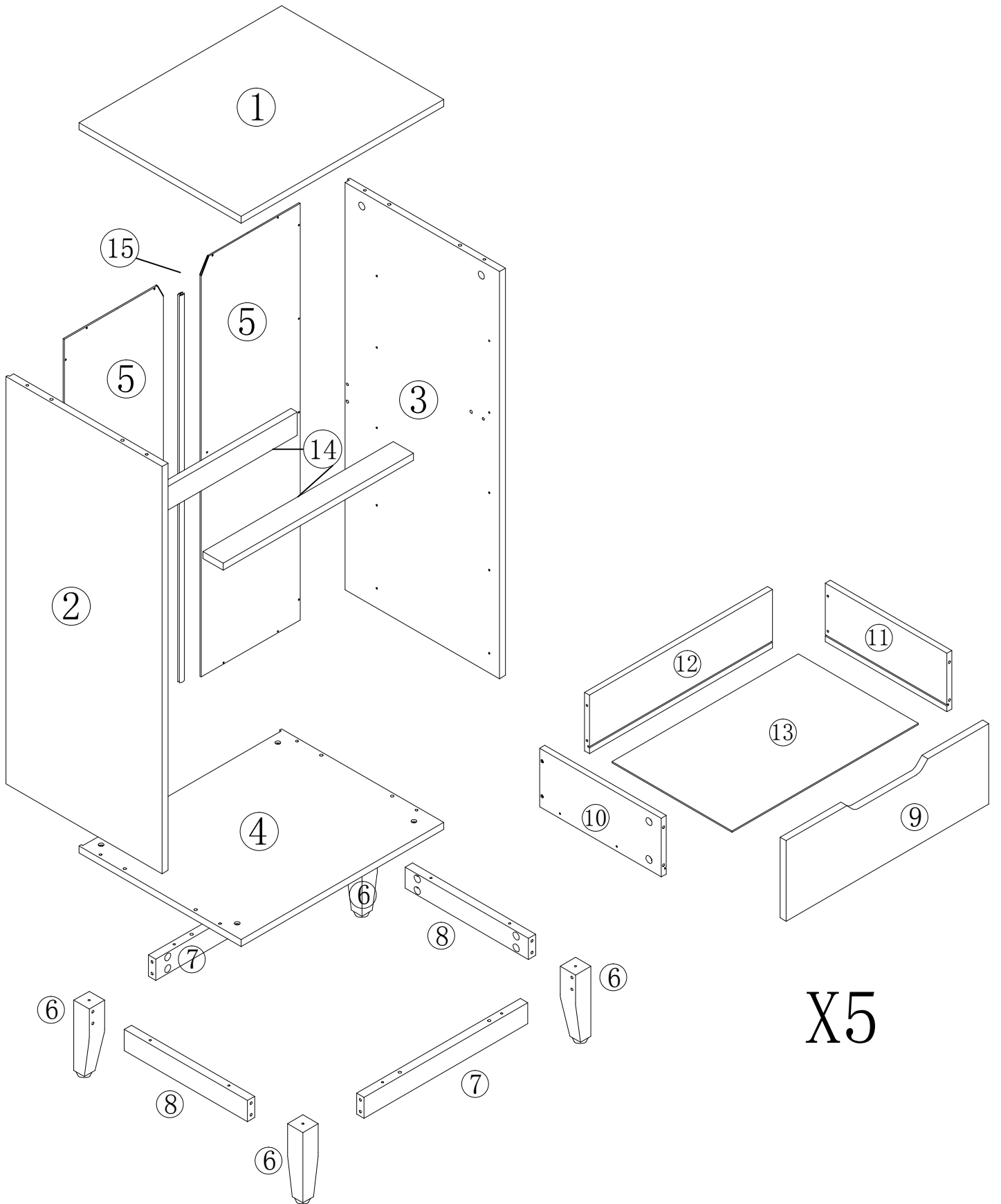
# Buca

---



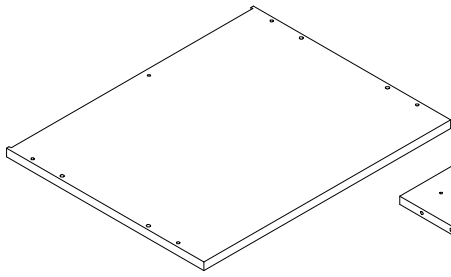
45min



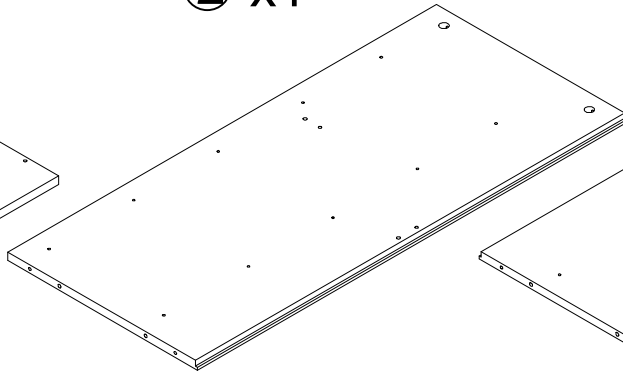


X5

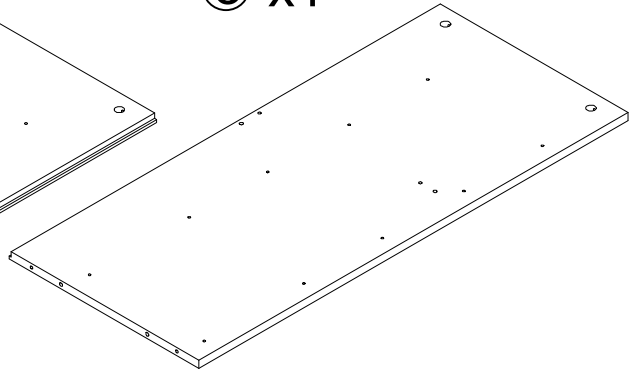
① x1



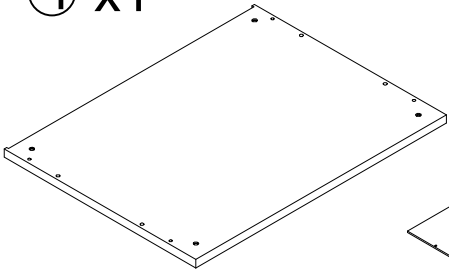
② x1



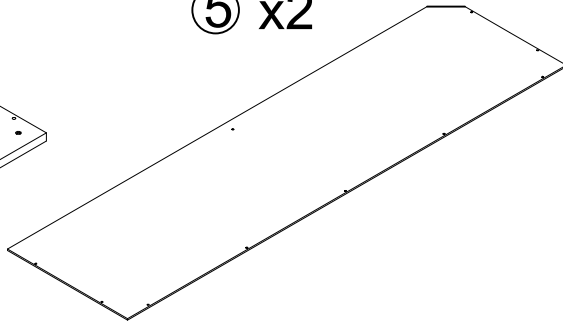
③ x1



④ x1



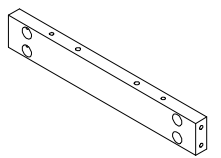
⑤ x2



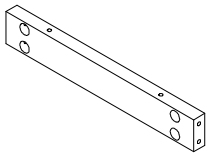
⑥ x4



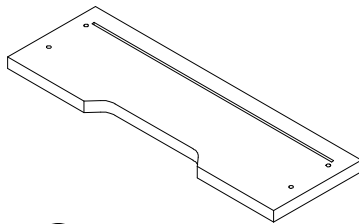
⑦ x2



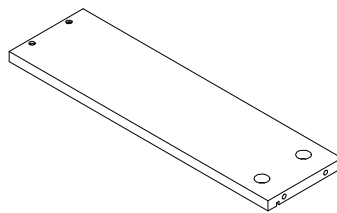
⑧ x2



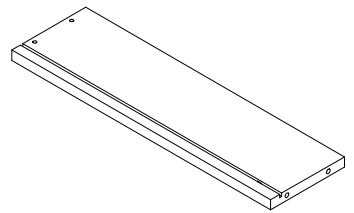
⑨ x5



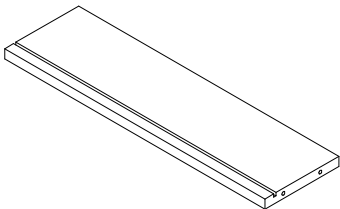
⑩ x5



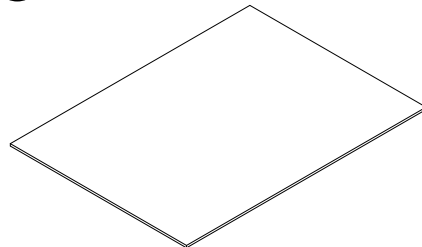
⑪ x5



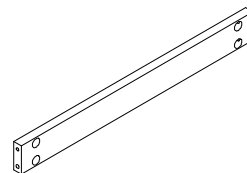
⑫ x5



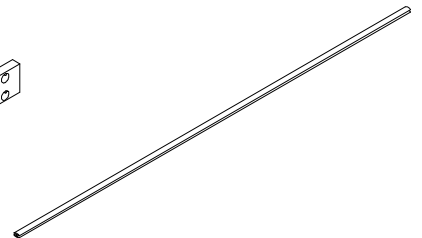
⑬ x5





⑭ x2

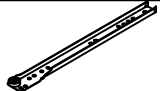



⑮ x1




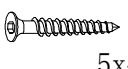
A(x12)  6x30mm

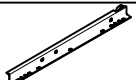
F(x20)  4x30mm


K(x5) 


P(x1)  4x14mm


B(x48)  6x35mm

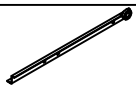
G(x8)  5x40mm


L(x5) 


Q(x1) 


C(x28)  15x12mm


H(x20)  2.5x10mm

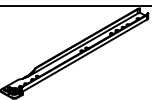
M(x5) 


D(x20)  15x9.5mm

I(x1) 

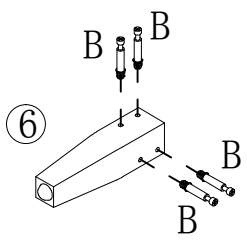
N(x8)  4x35mm

E(x40)  3x12mm

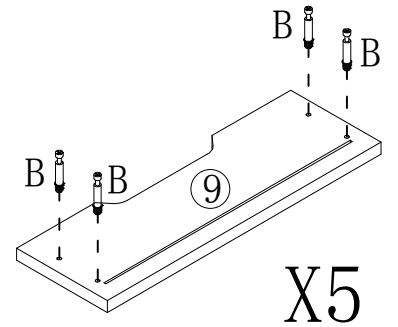
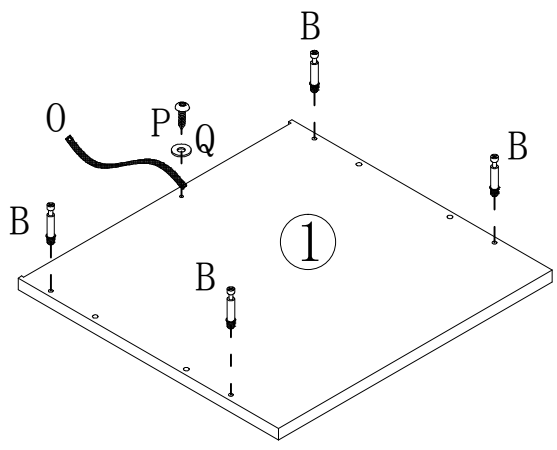
J(x5) 

O(x1) 

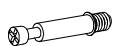



1



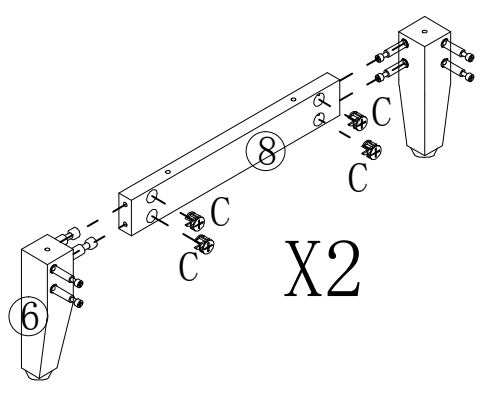
X4



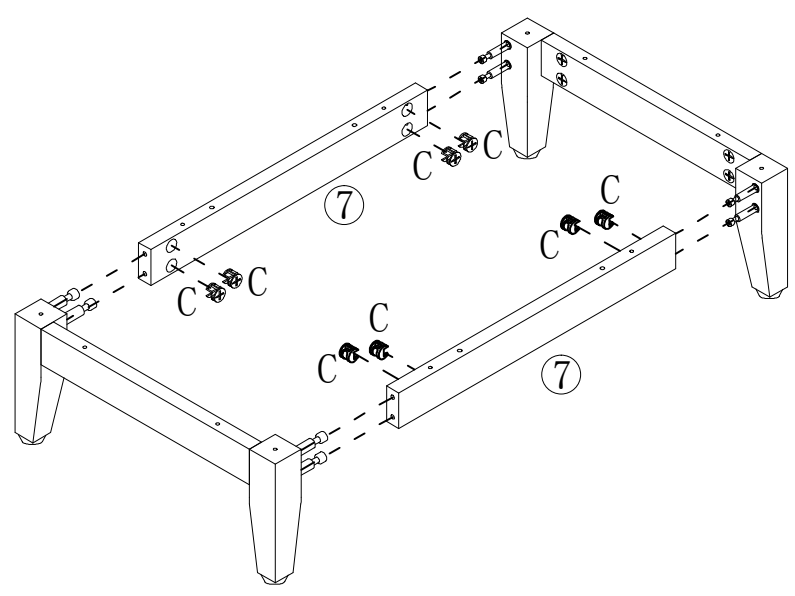
X5


	(B)x40pcs
	(O)x1pcs
	(P)x1pcs
	(Q)x1pcs

2

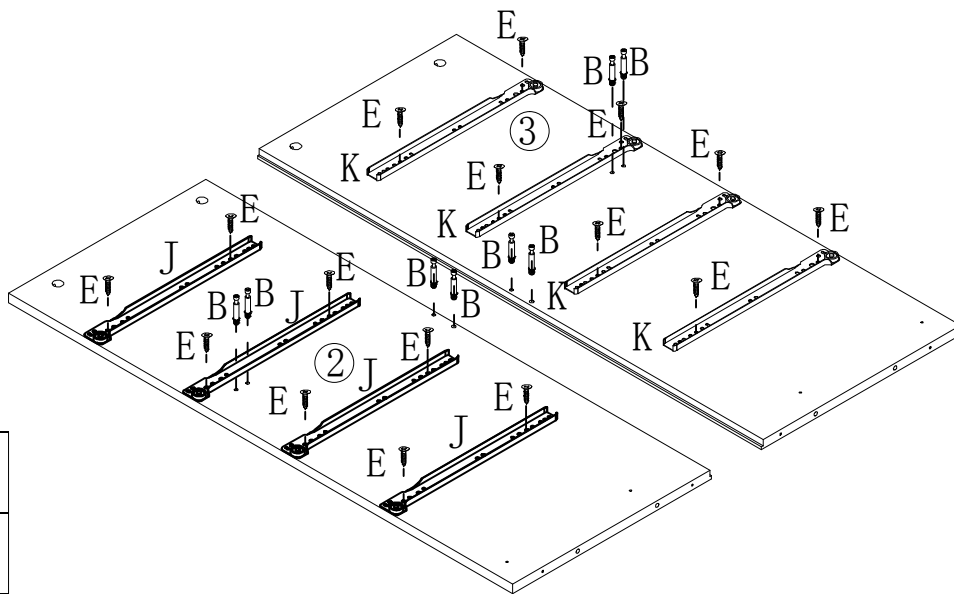
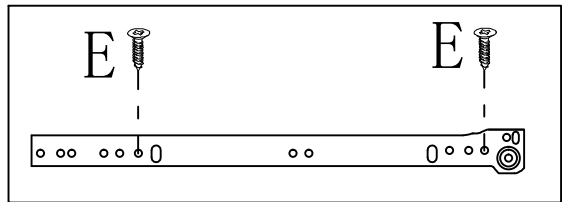


X2



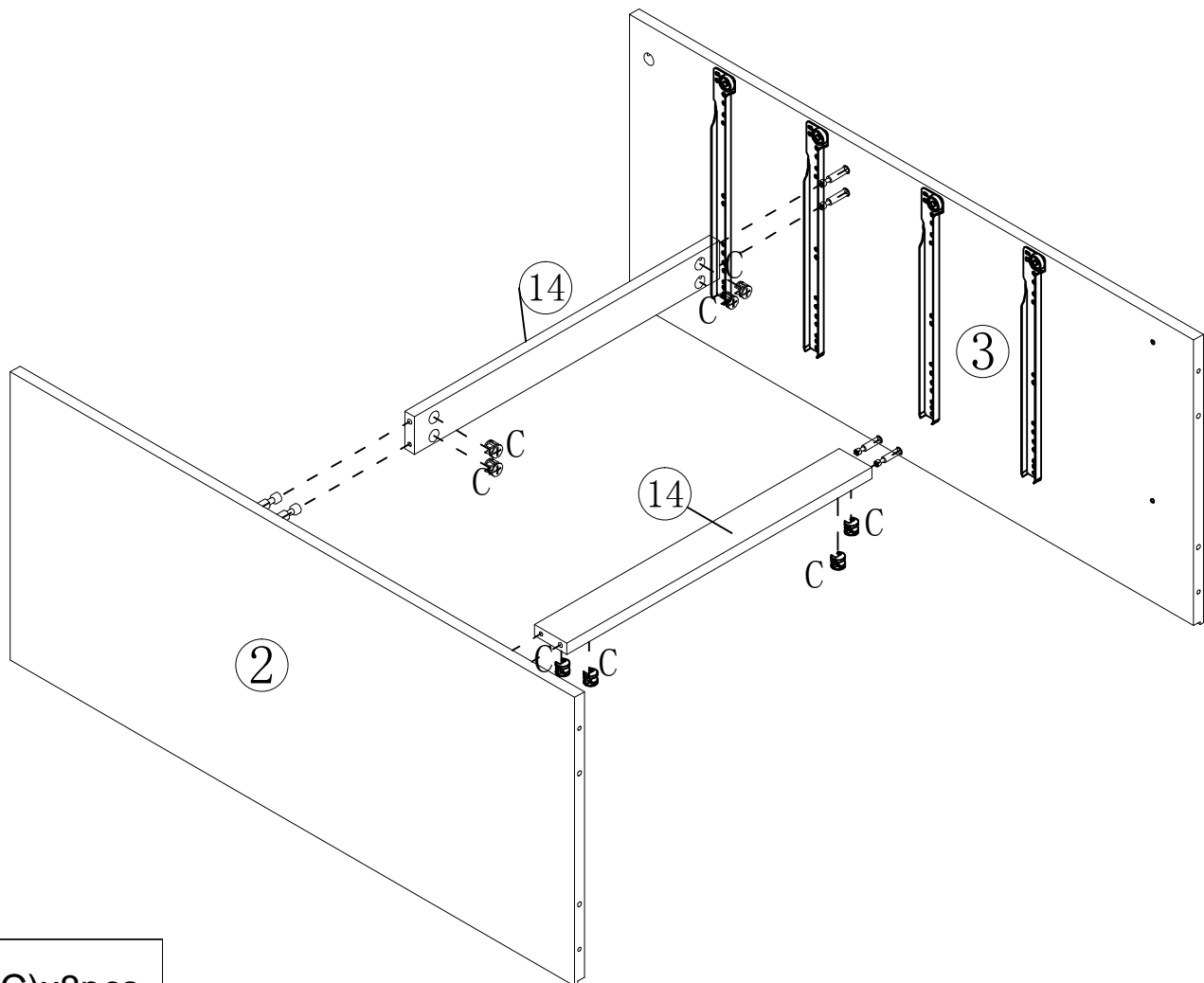
	(C)x16pcs
------------------------------------------------------------------------------------	-----------

3



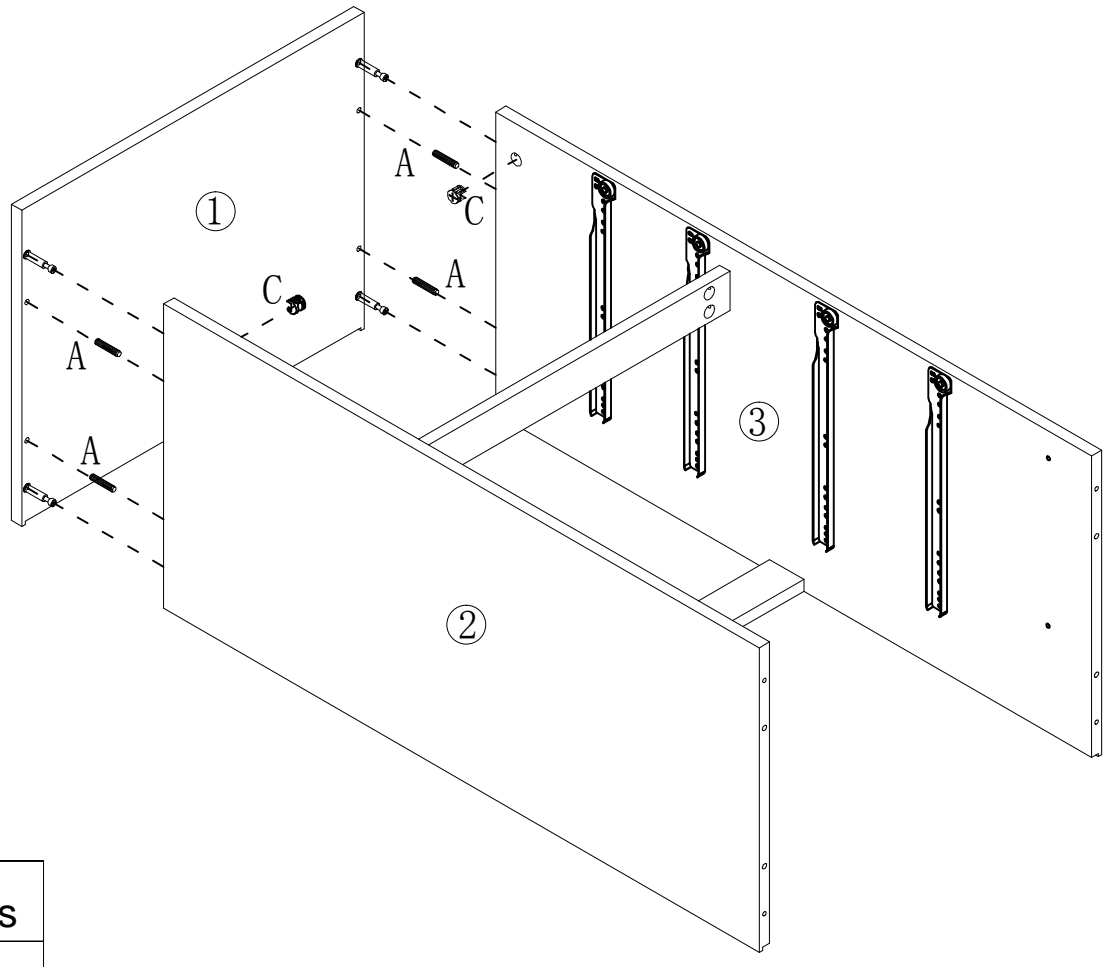
- (B)x8pcs
- (J)x4pcs
- (K)x4pcs
- (E)x16pcs

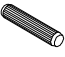

4



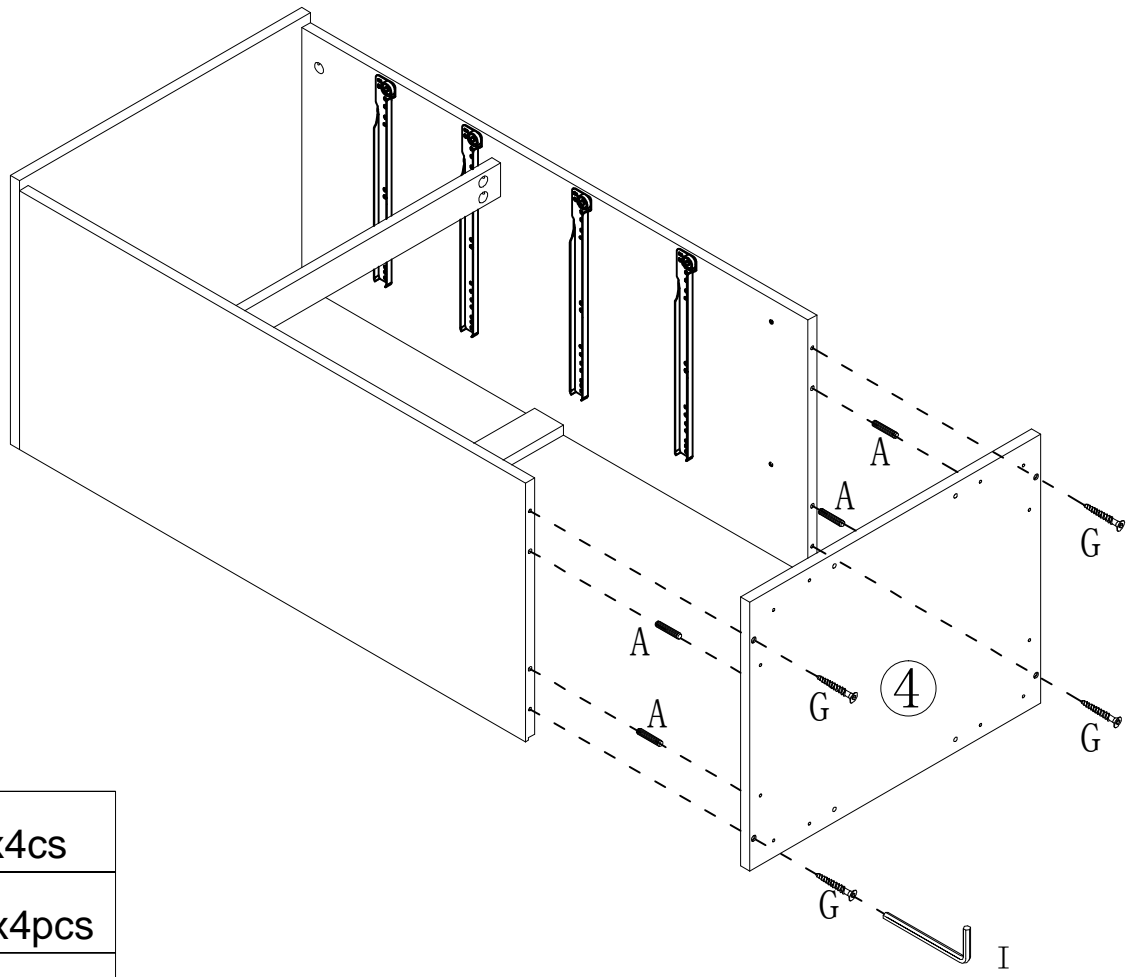
- (C)x8pcs




5



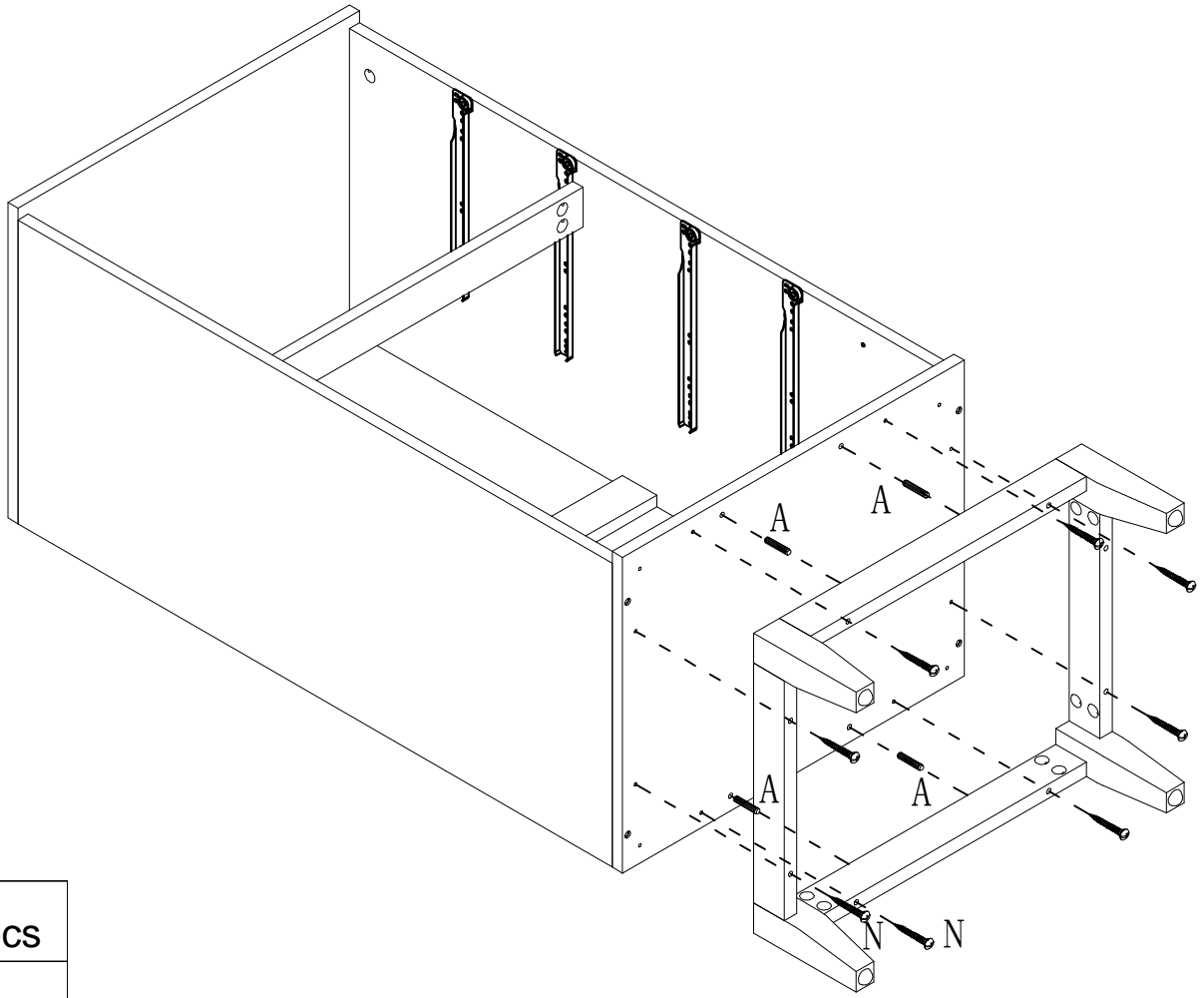
-  (A)x4pcs
-  (C)x4pcs


6




-  (A)x4cs
-  (G)x4pcs
-  (I)x1pcs

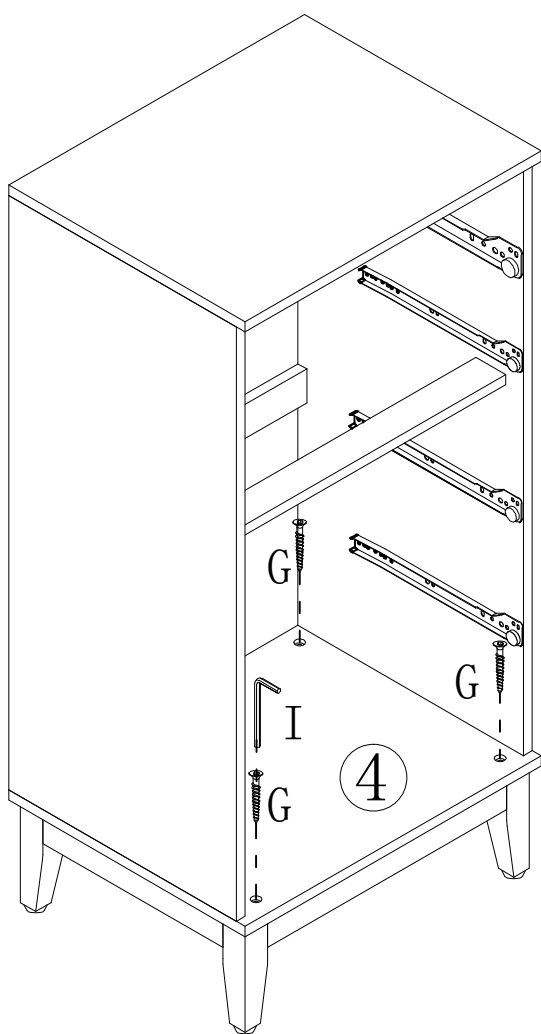
7




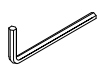
	(A)x4pcs
-----------------------------------------------------------------------------------	----------

	(N)x8pcs
------------------------------------------------------------------------------------	----------

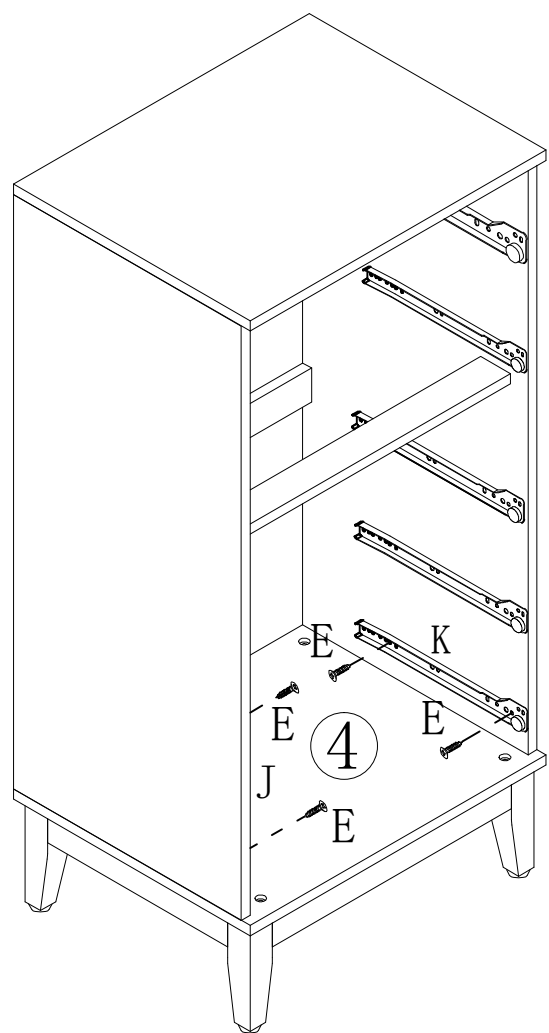
8


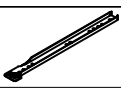



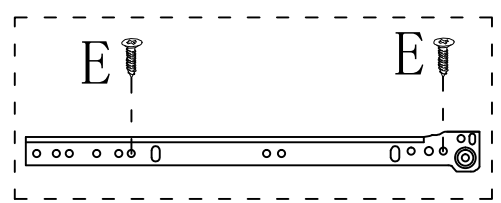
	(G)x4pcs
------------------------------------------------------------------------------------	----------

	(I)x1pcs
------------------------------------------------------------------------------------	----------

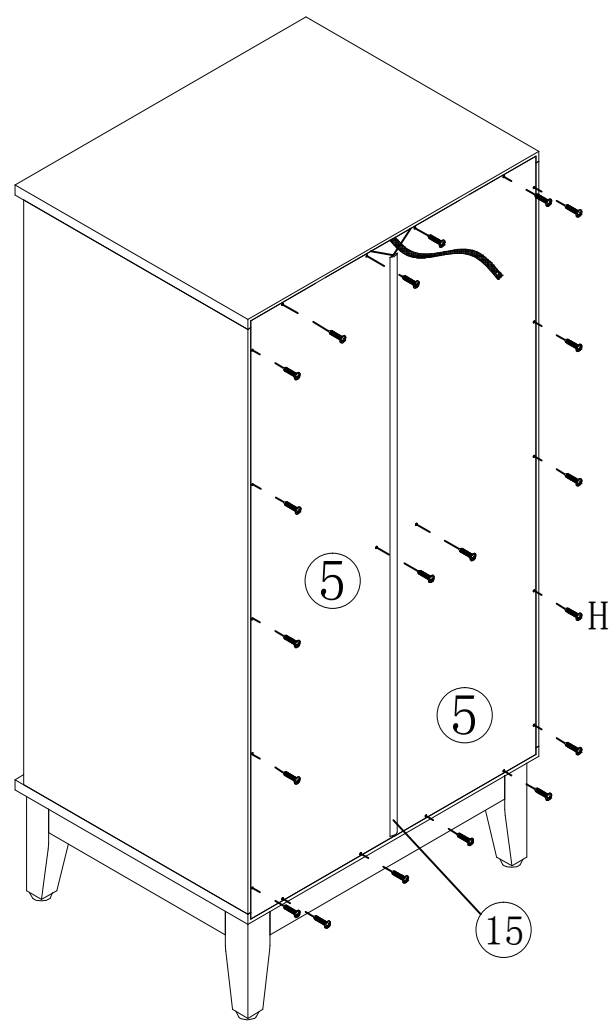
9




-  (E)x4pcs
-  (J)x1pcs
-  (K)x1pcs



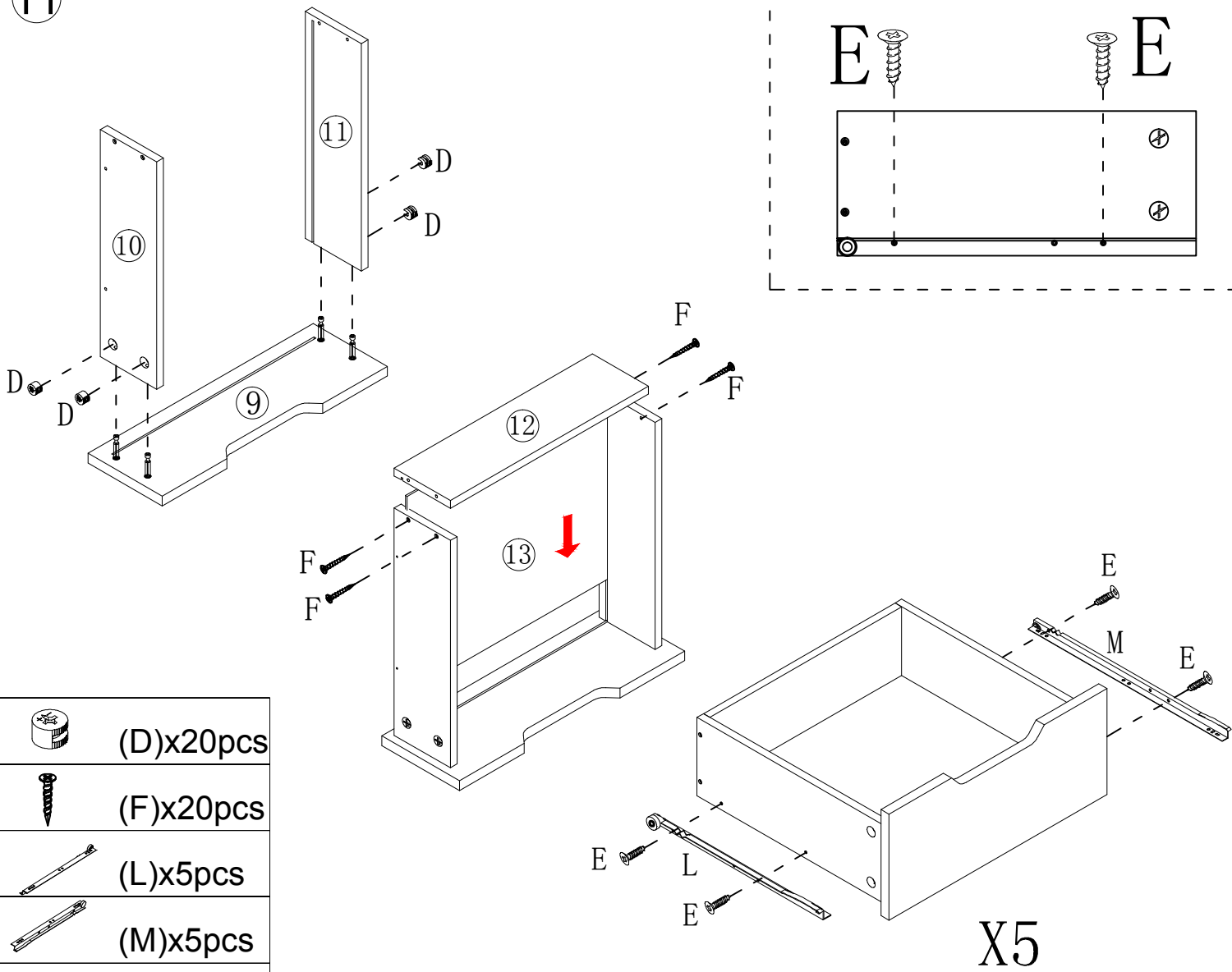
10



-  (H)x20pcs



11



12

