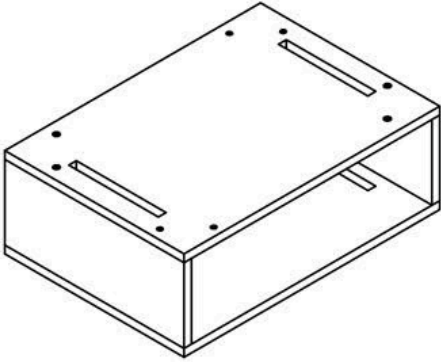
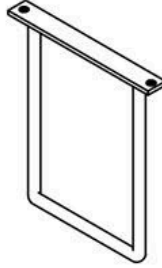


END TABLE ASSEMBLY

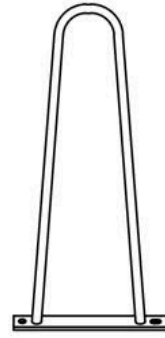
AX1



BX2



CX4



DX8



EX1



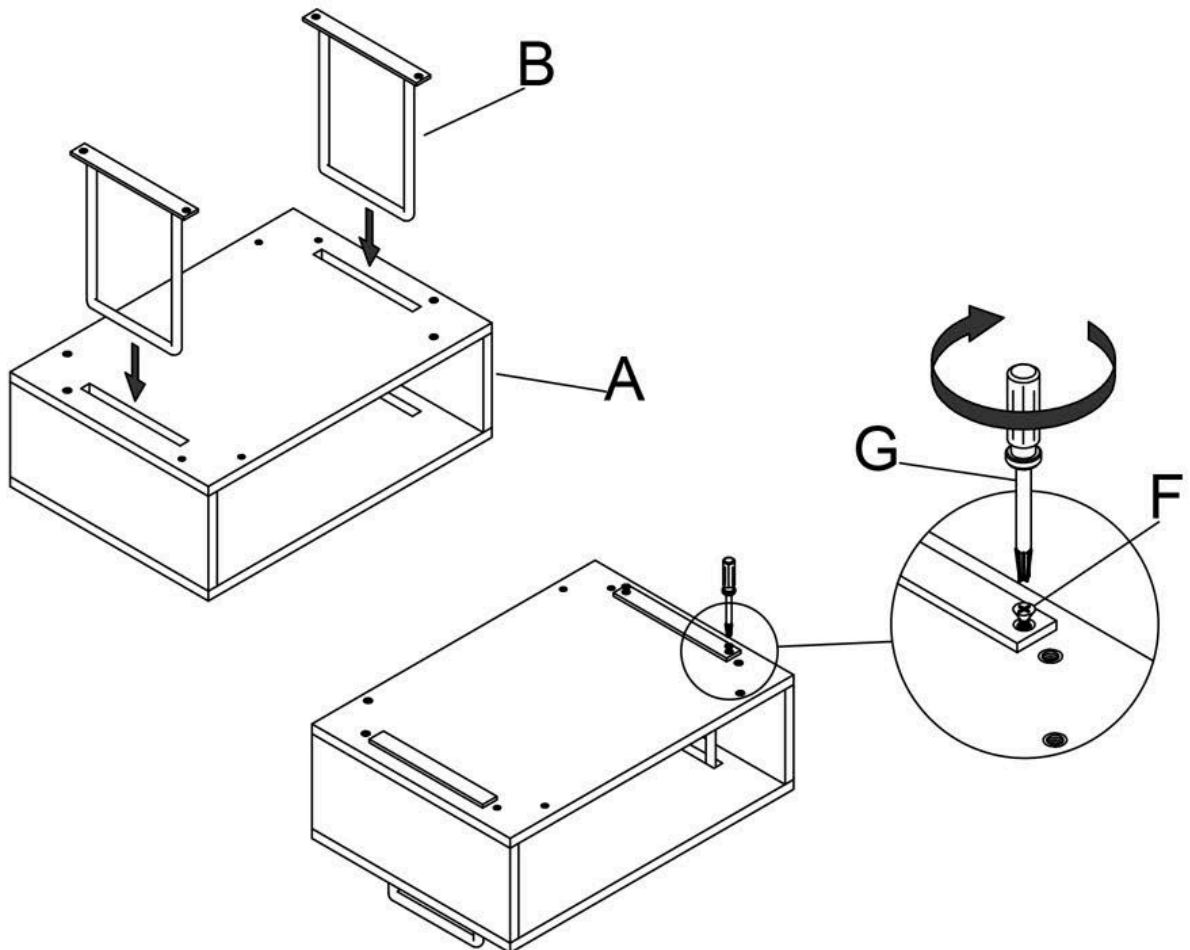
FX4



GX1



1



2

