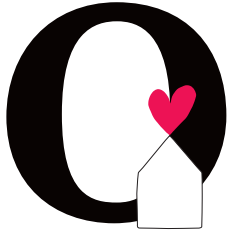


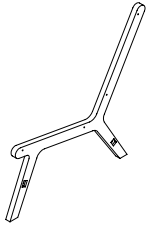
vtwonen



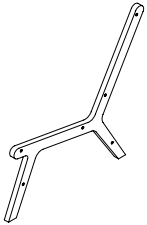
huiscollectie

FRAME GEWEVEN BANKJE

I = 1X



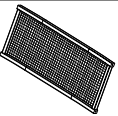
II = 1X



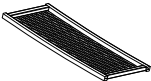
III = 2X



IV = 1X



V = 1X



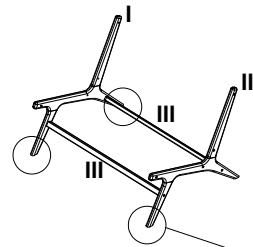
A = 4X  M6X60

B = 4X  M6X13

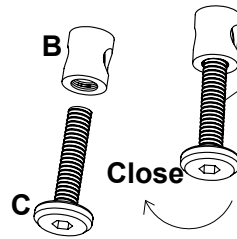
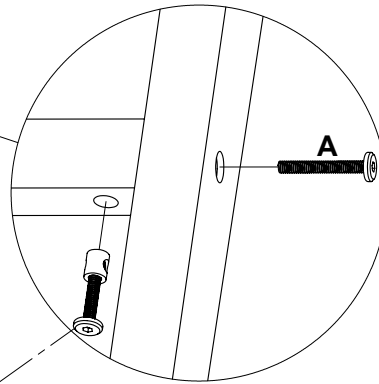
C = 1X  M6X30

D = 8X  M6X50

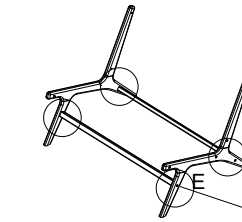
E = 1X 



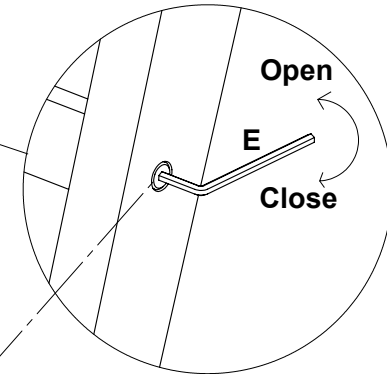
Step 1



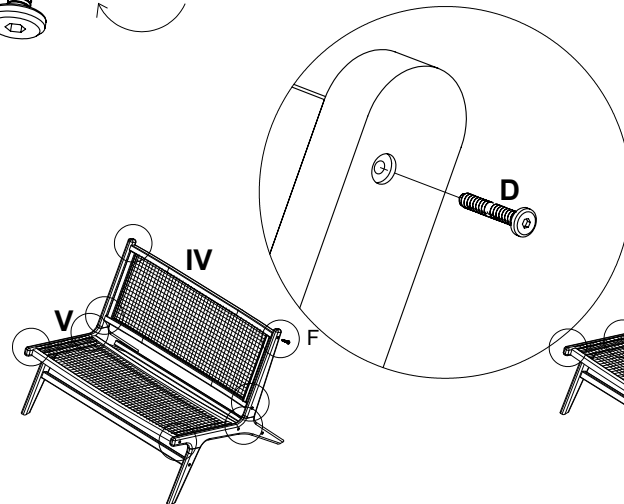
Close



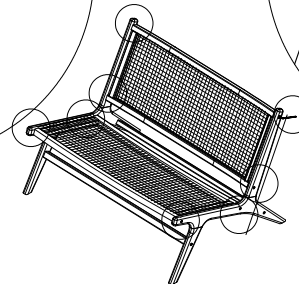
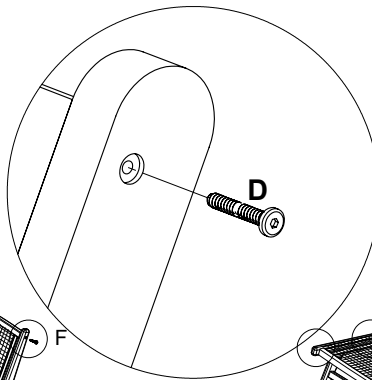
Step 2



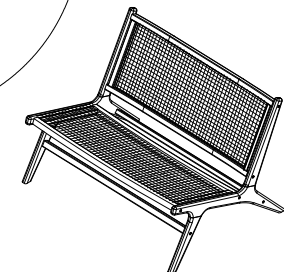
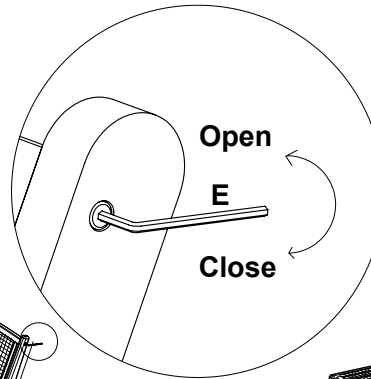
Open



Step 3



Step 4



Completed