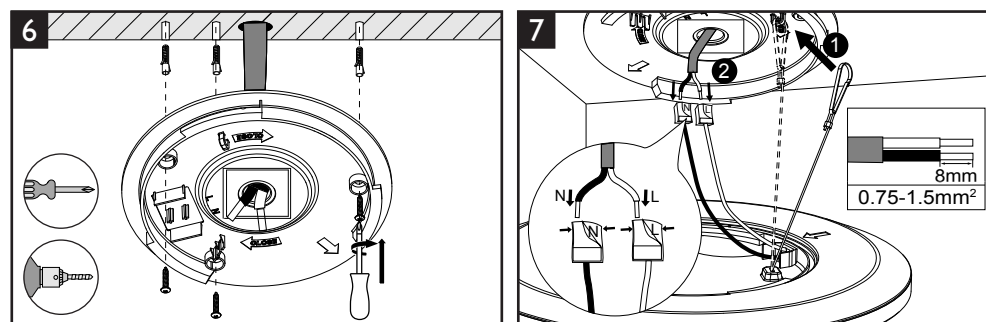
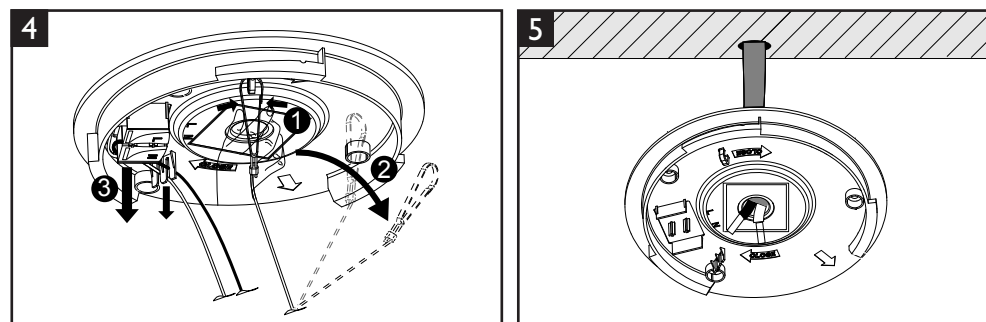
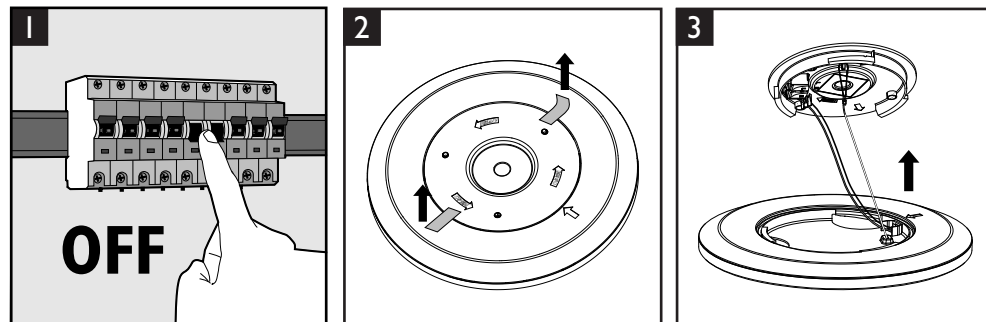
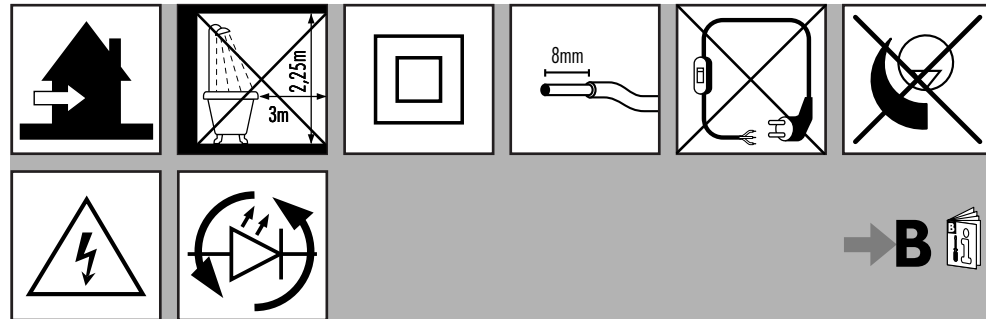
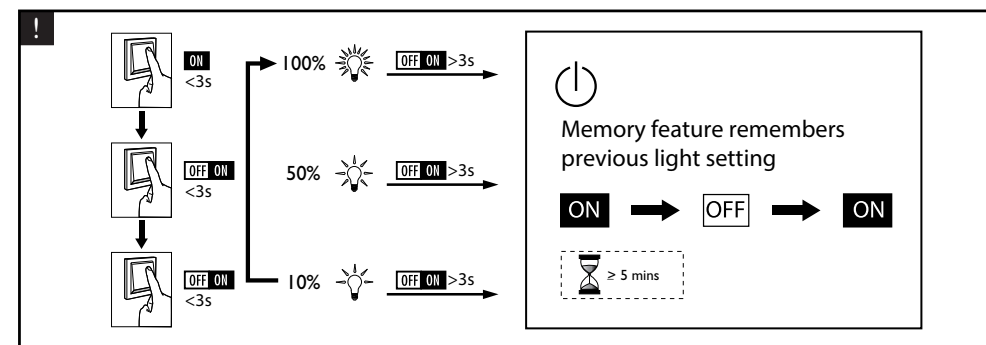
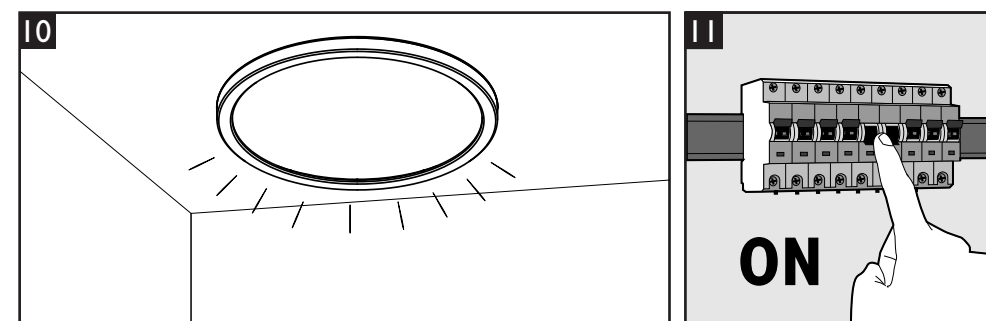
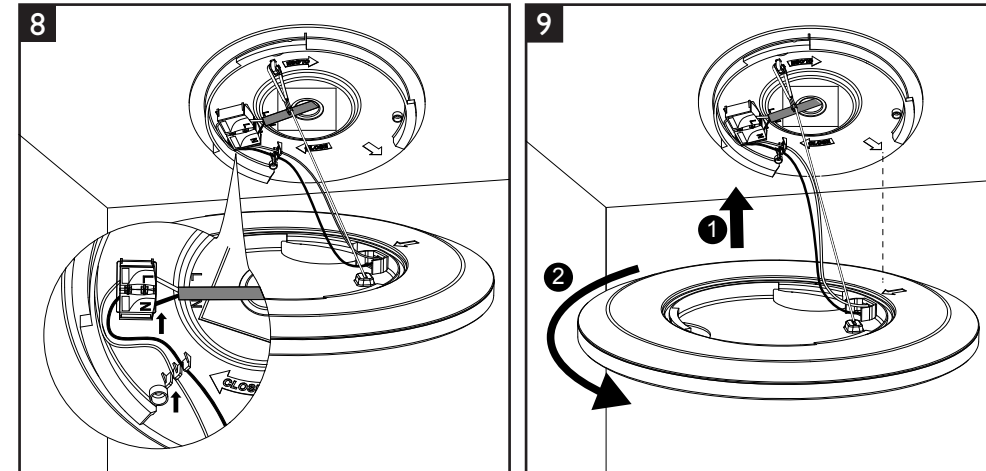




PHILIPS



PHILIPS



Signify
 I.B.R.S. / C.C.R.I. Numéro 10461
 5600 VB Eindhoven, the Netherlands
www.philips.com/lighting
 © 2018 Signify Holding

324165391731
 Last update: 18/03/19