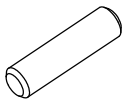
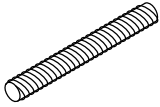
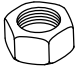
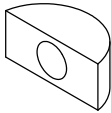

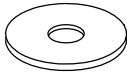
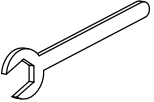


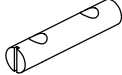

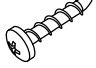
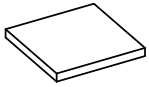
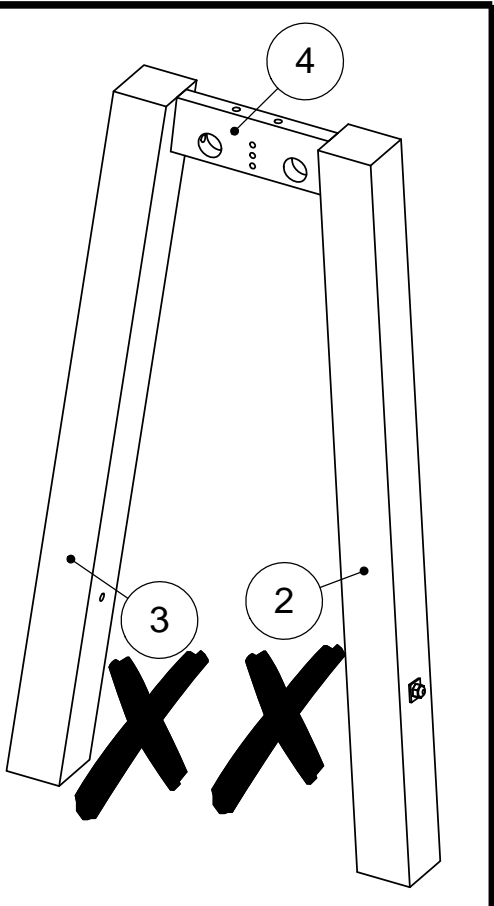
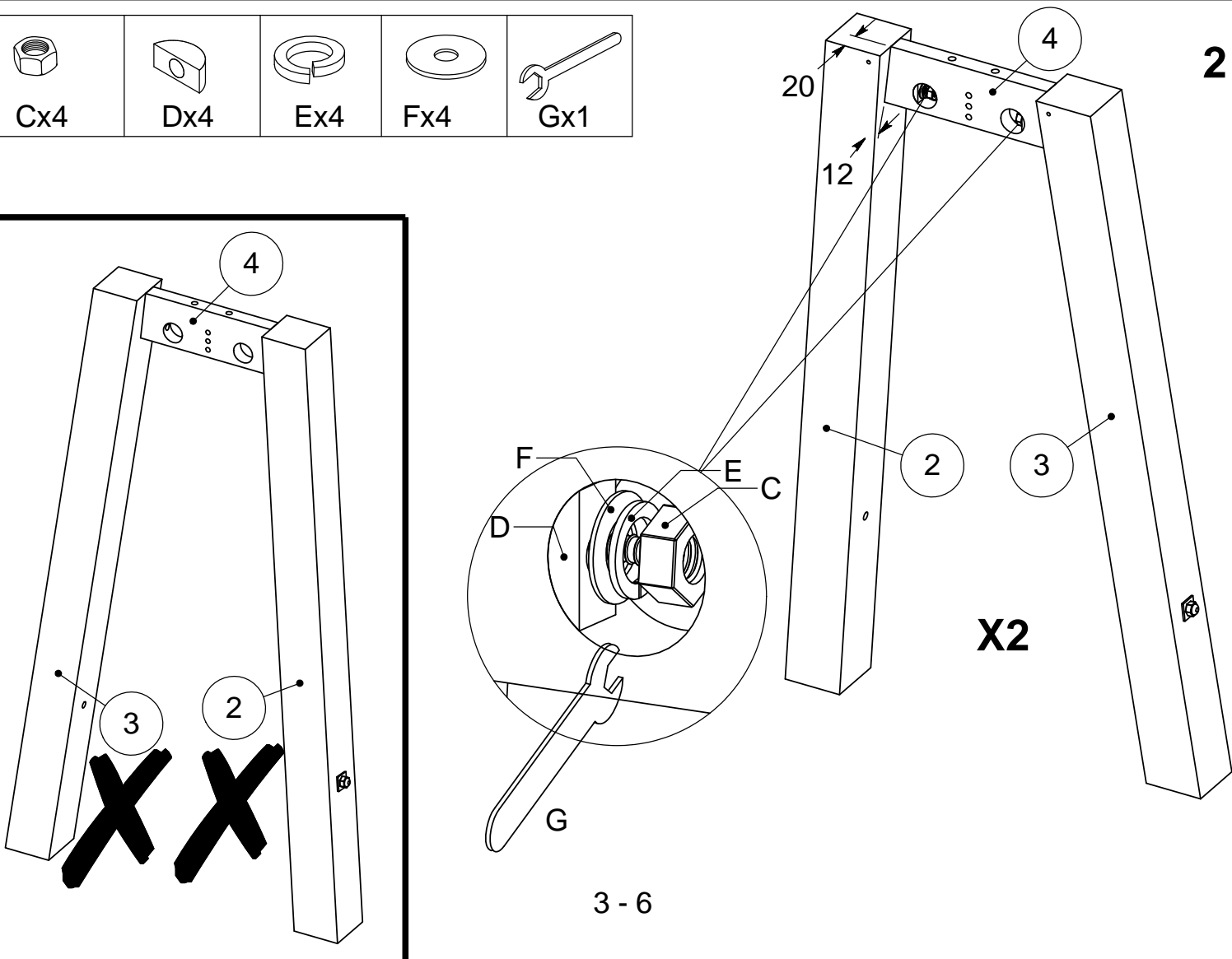
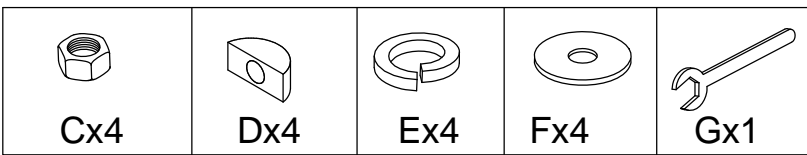
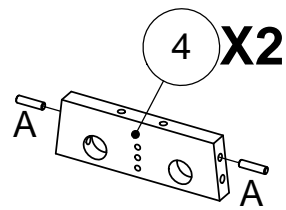
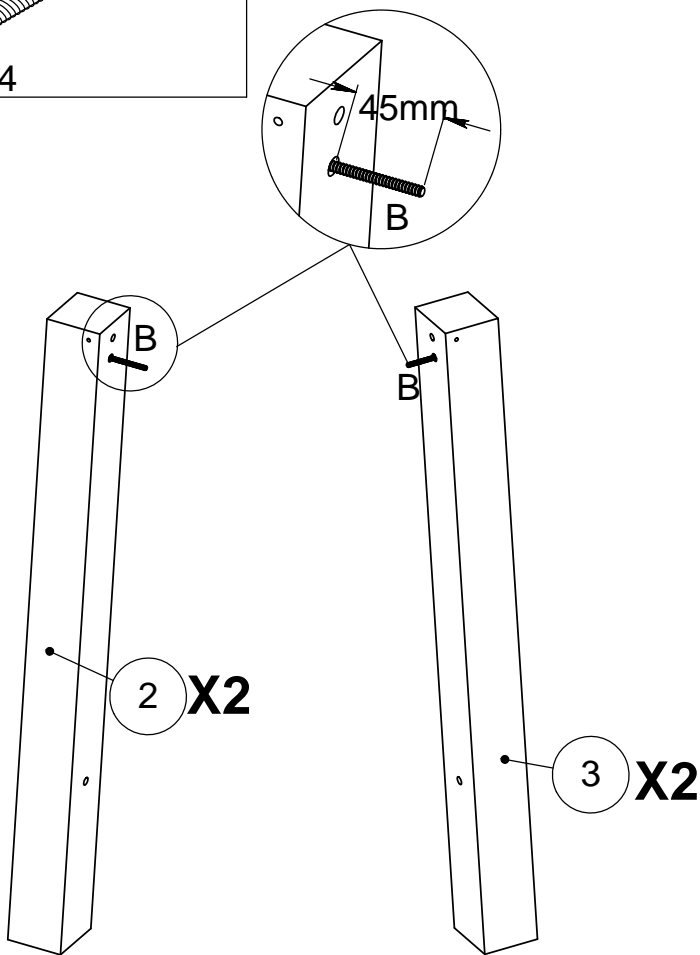
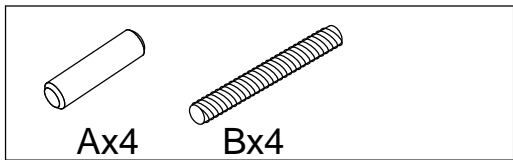
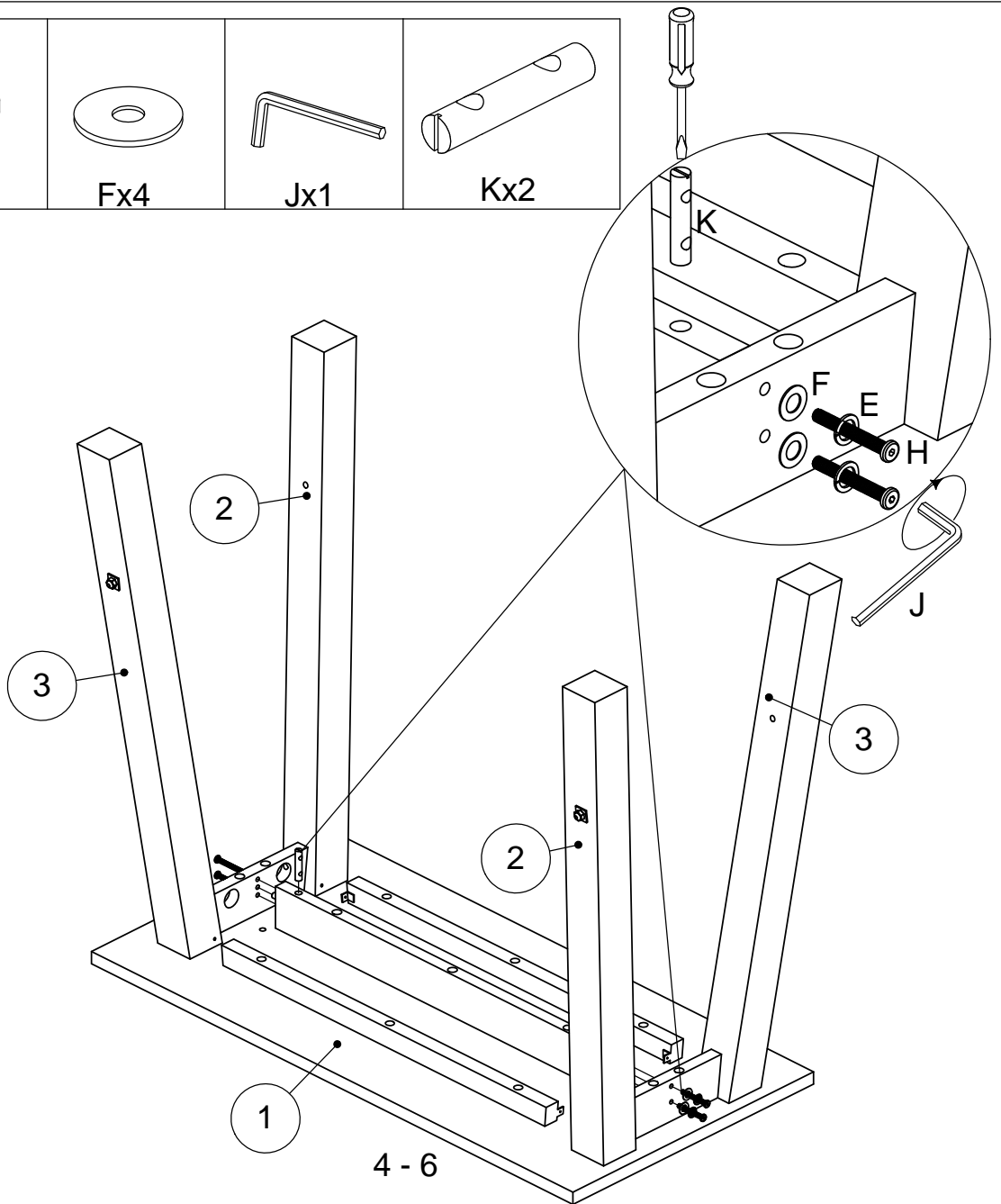
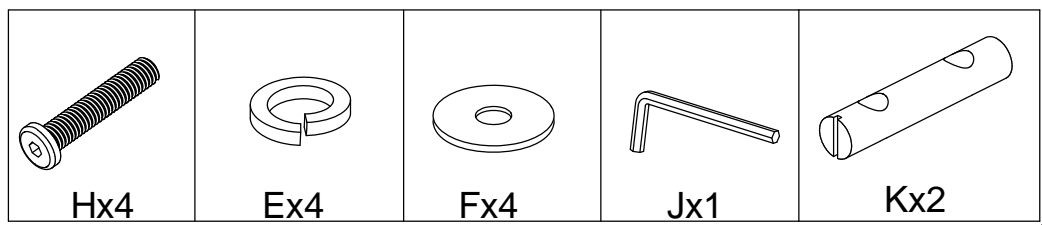
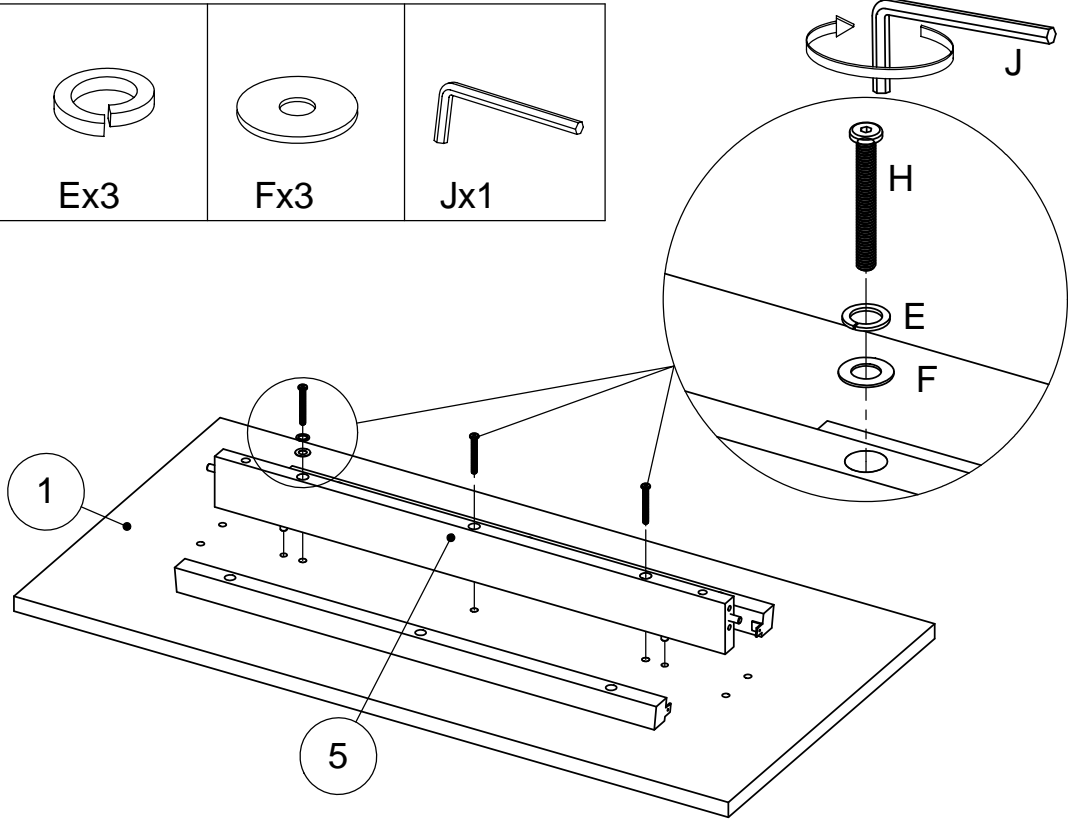
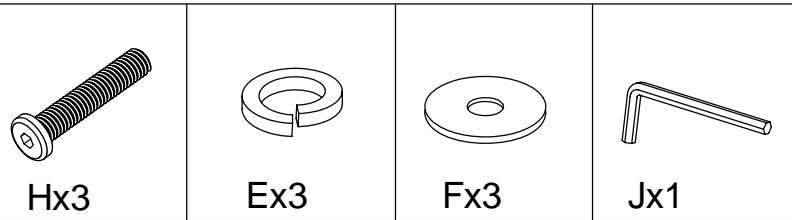
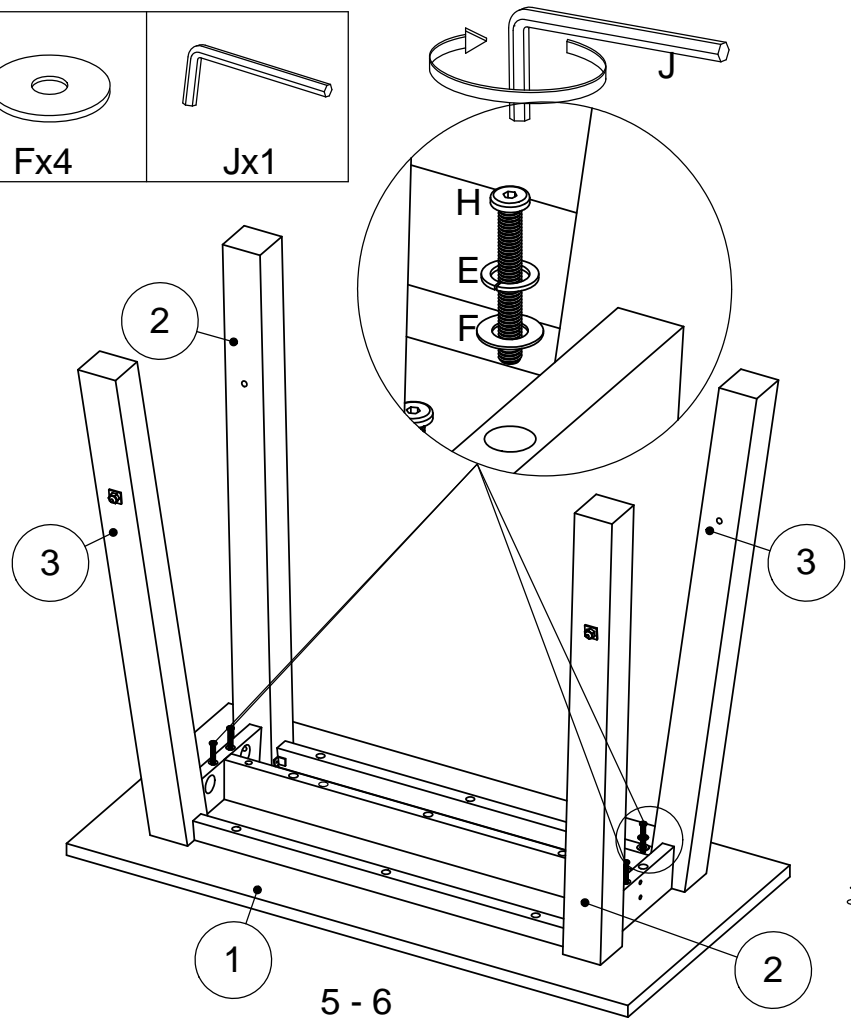
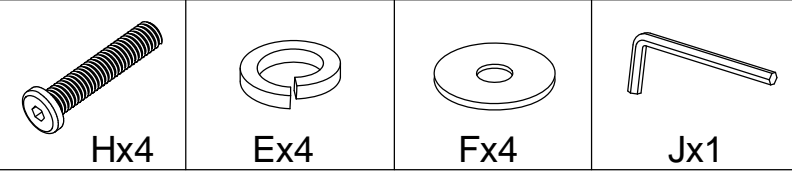
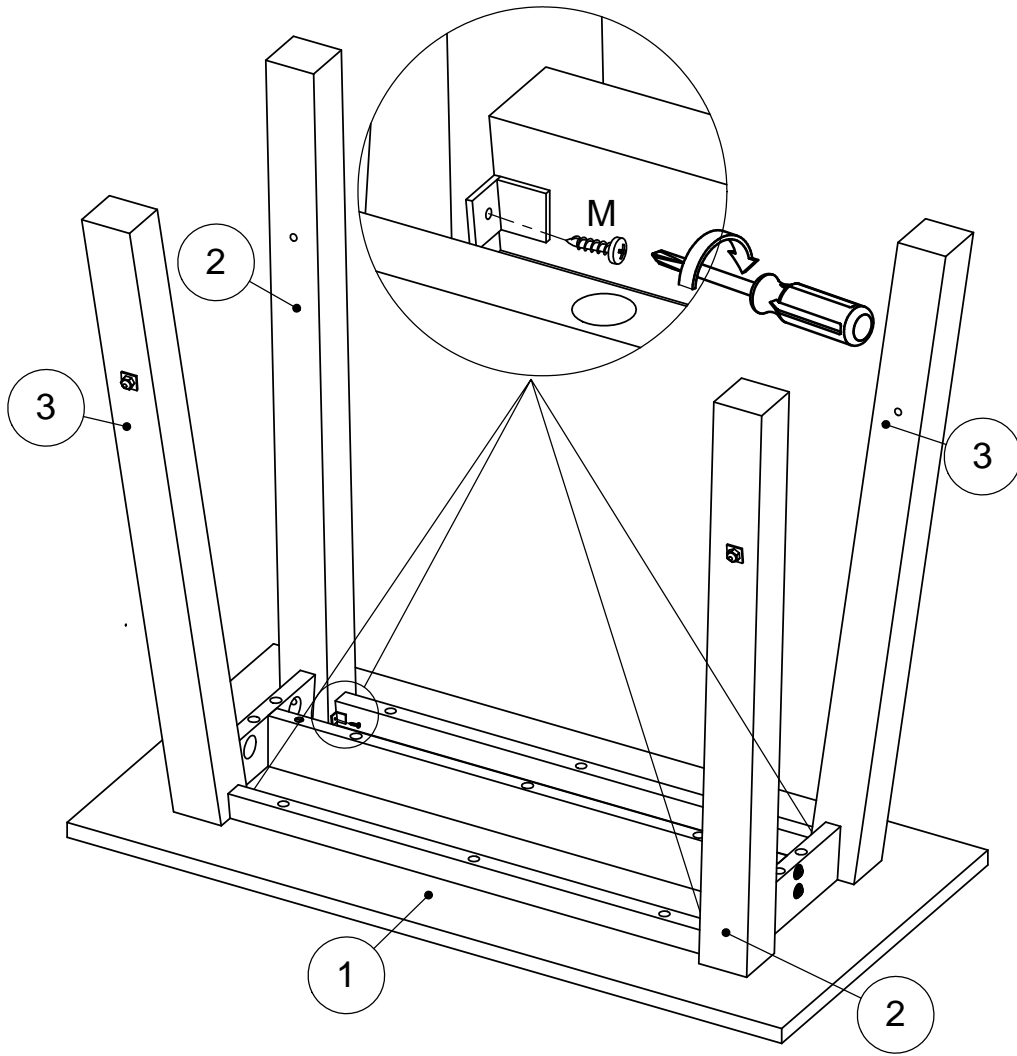


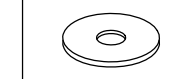

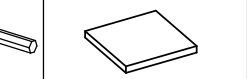


<b>Ax4</b>  $\phi 10 \times 40$	<b>Bx4</b>  <b>M8x65</b>	<b>Cx4</b>  <b>M8</b>	<b>Dx4</b>  <b>M8</b>	<b>Ex19</b>  <b>M8</b>	<b>Fx19</b>  <b>M8x15</b>	<b>Gx1</b>  <b>12mm</b>
<b>Hx11</b>  <b>M8x90</b>	<b>Jx1</b>  <b>M5</b>	<b>Kx2</b>  $\phi 12 \times 60$	<b>Lx4</b>  <b>M8x25</b>	<b>Mx4</b>  $\phi 3 \times 16$	<b>Nx4</b>  <b>60x60mm</b>	







				
Lx4	Ex4	Fx4	Jx1	Nx4

