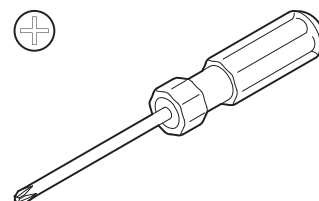
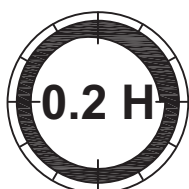
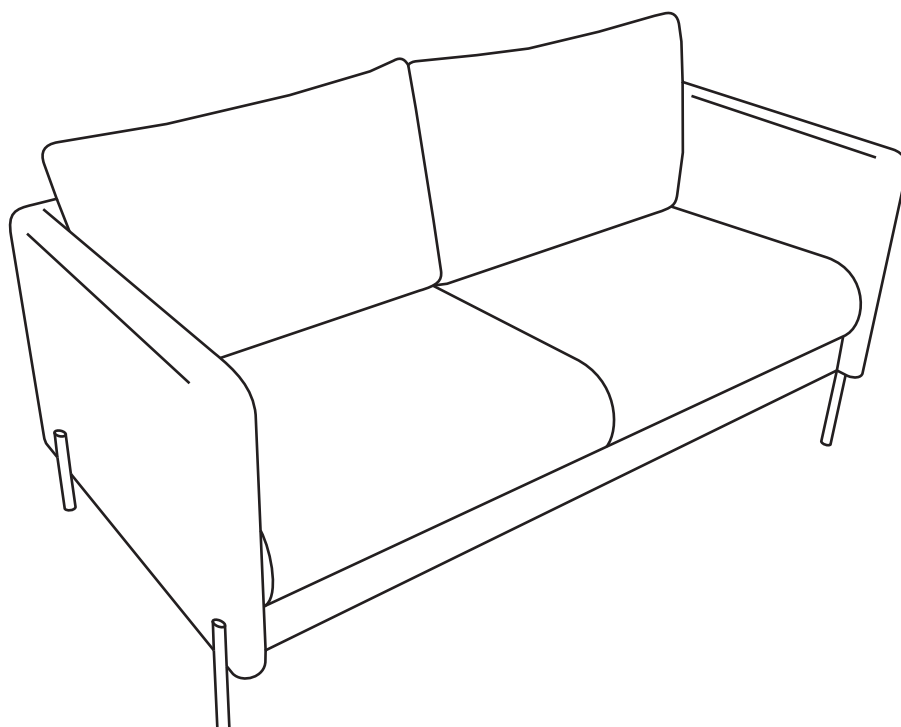
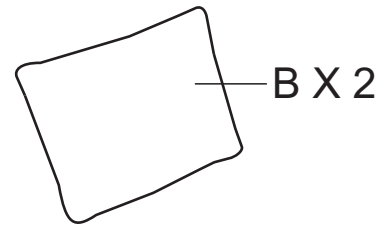
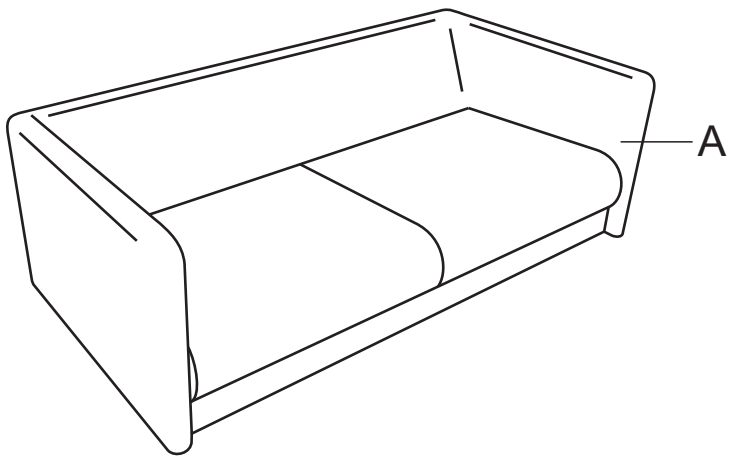

Kingsley 2,5s-seater

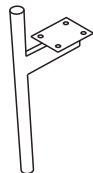


Kingsley 2,5s-seater



110 X 70 X 200/280 mm

B X 4



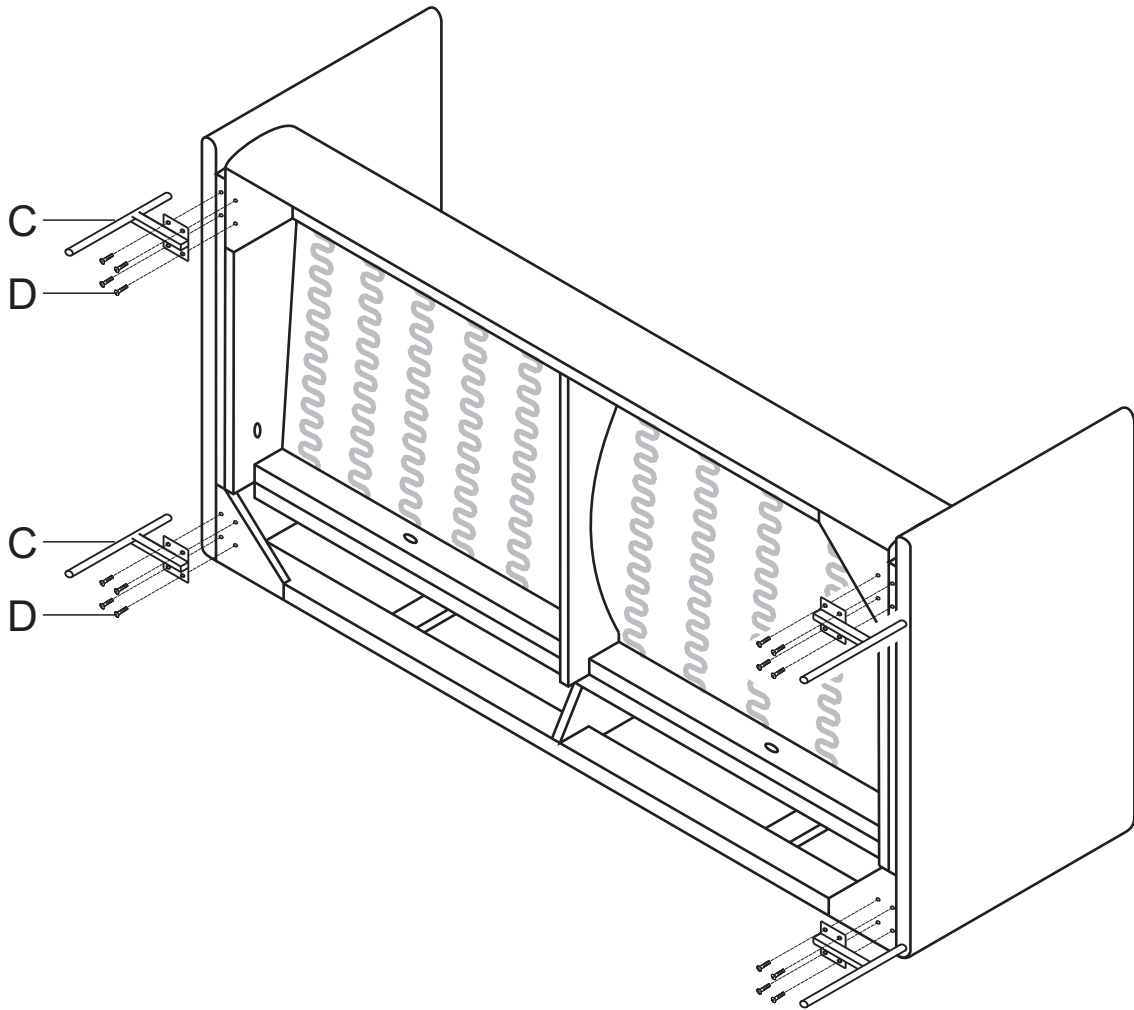
4 X 20 mm

D X 16

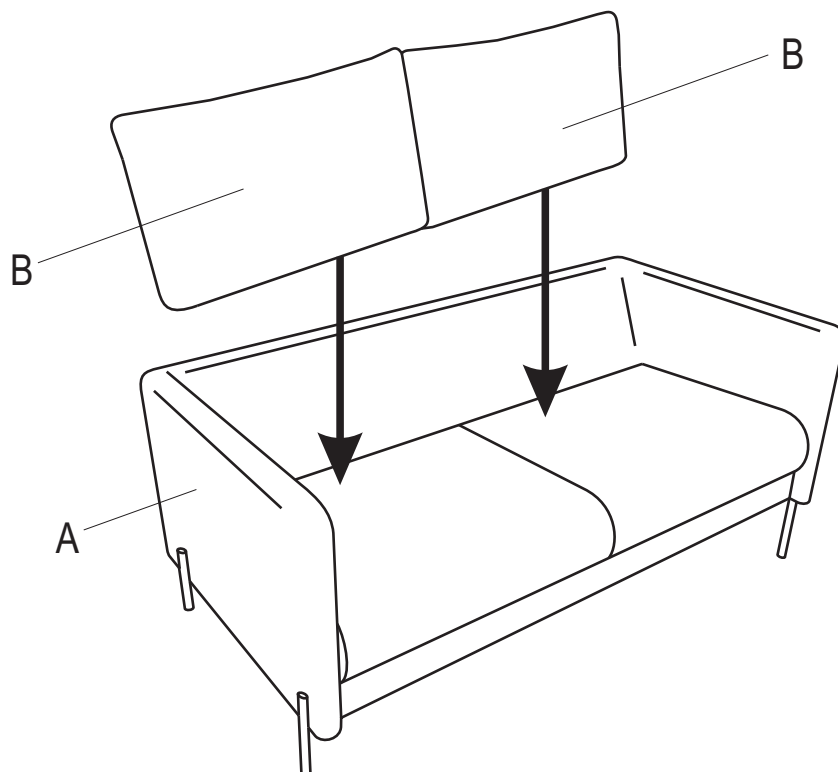


Kingsley 2,5s-seater

1



2



Kingsley 2,5s-seater

