

**PHILIPS**

hue personal  
wireless  
lighting

32163/\*\*/\*\*



Gebruiksaanwijzing

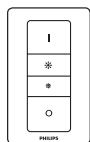
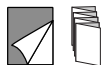
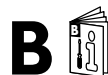
Notice d'emploi

Benutzerhandbuch

User manual

Manual de usuario

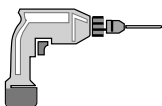
Incl.



+ 1x CR2450

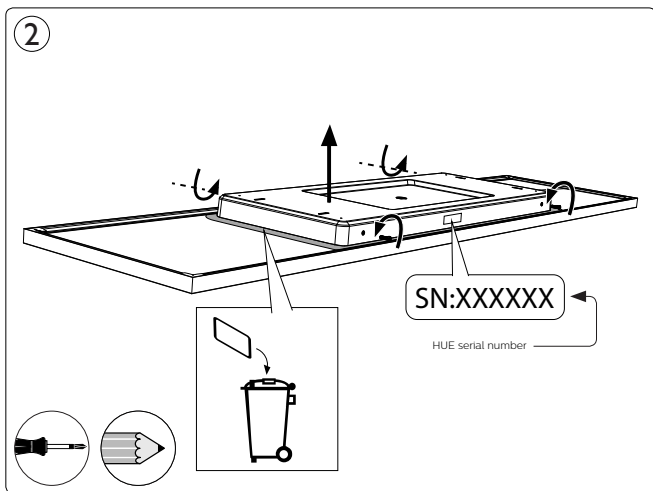
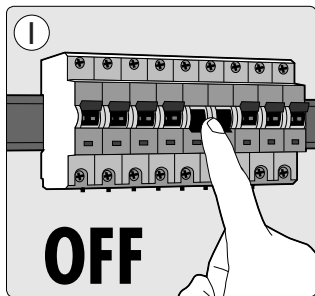


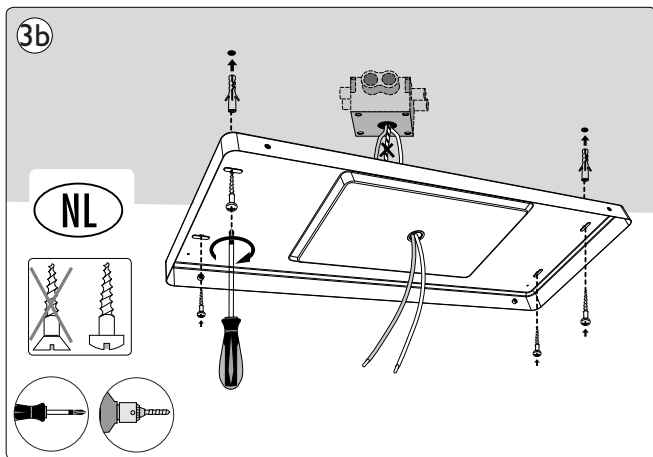
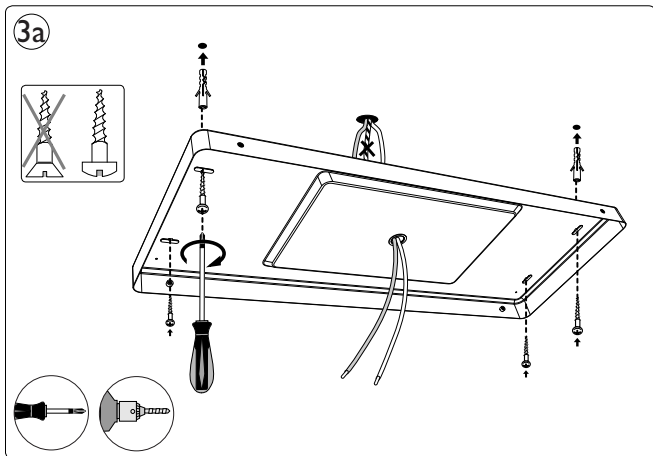
Excl.

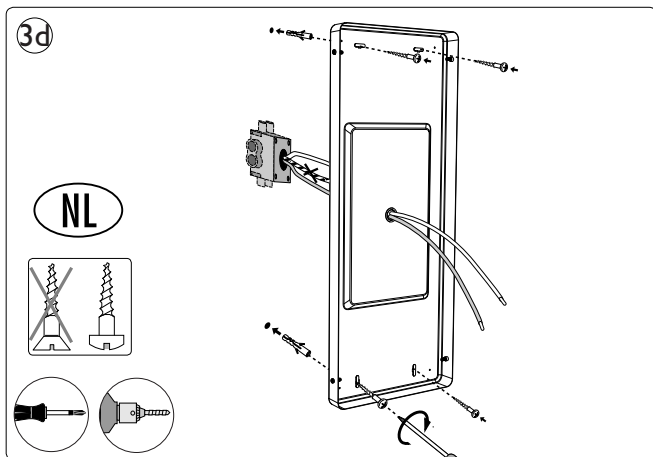
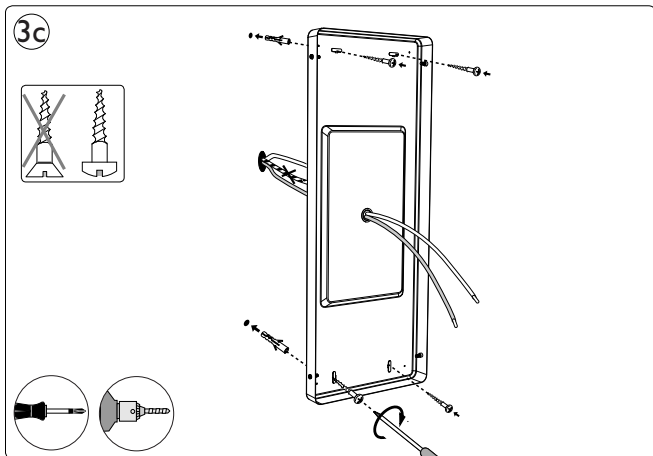


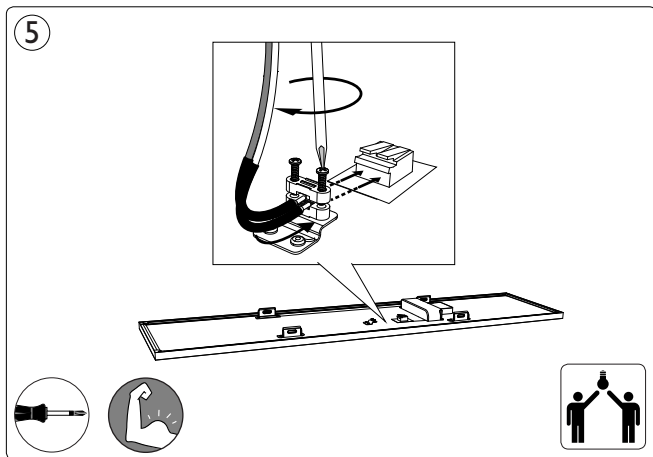
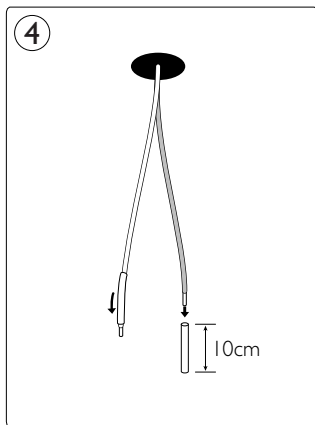
[www.meethue.com/getstarted](http://www.meethue.com/getstarted)

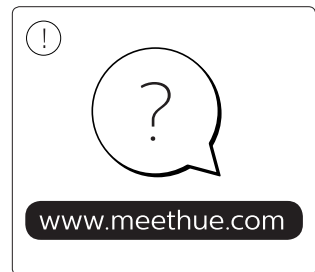
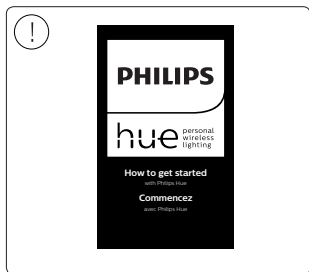
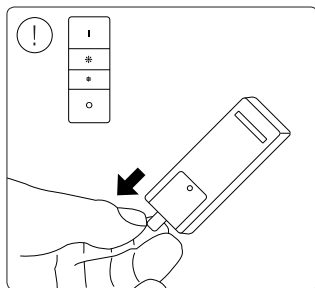
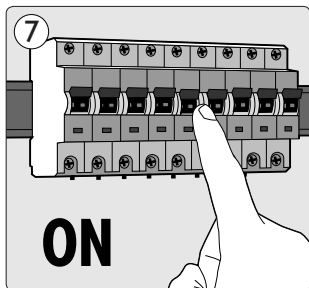
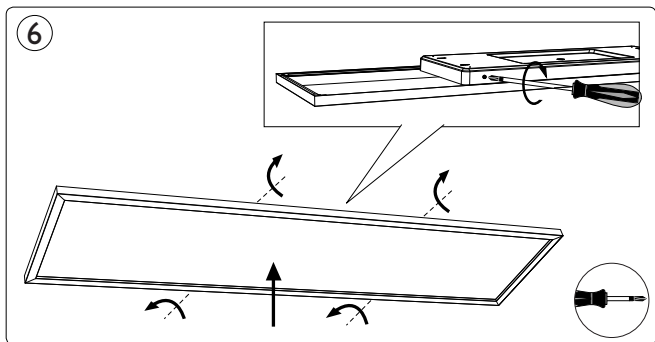














Signify  
I.B.R.S. / C.C.R.I. Numéro 10461  
5600 VB Eindhoven,  
the Netherlands  
☎00800-74454775

© 2019 Signify Holding  
All rights reserved.

[www.meethue.com](http://www.meethue.com)

4404 029 09703  
Last update: 16/08/19