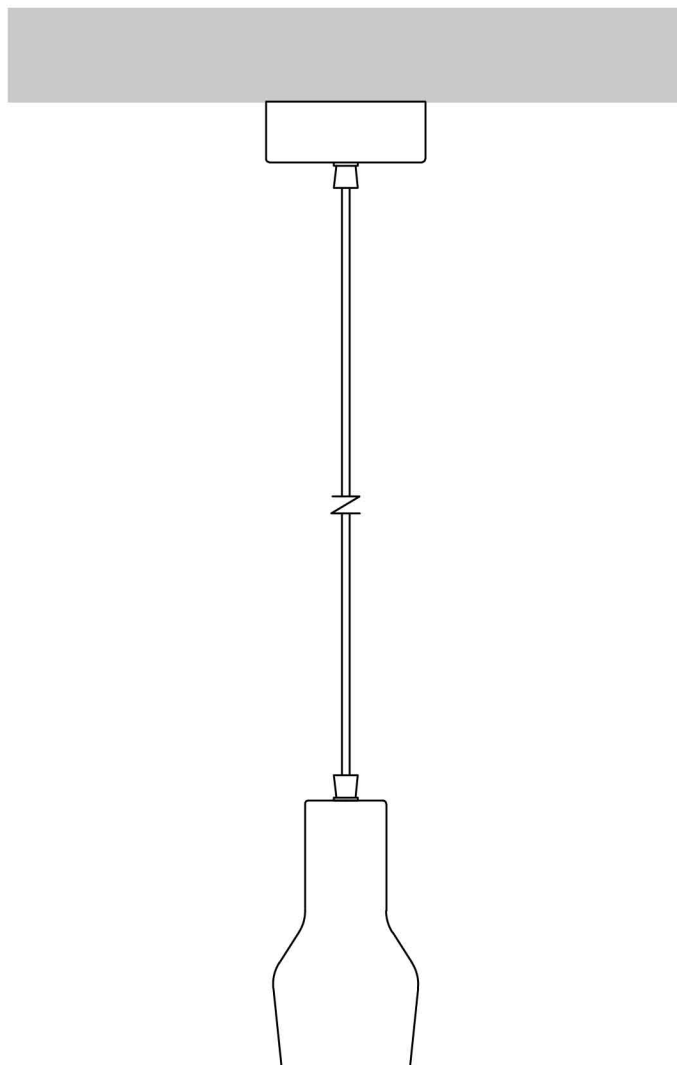


ASSEMBLY INSTRUCTIONS

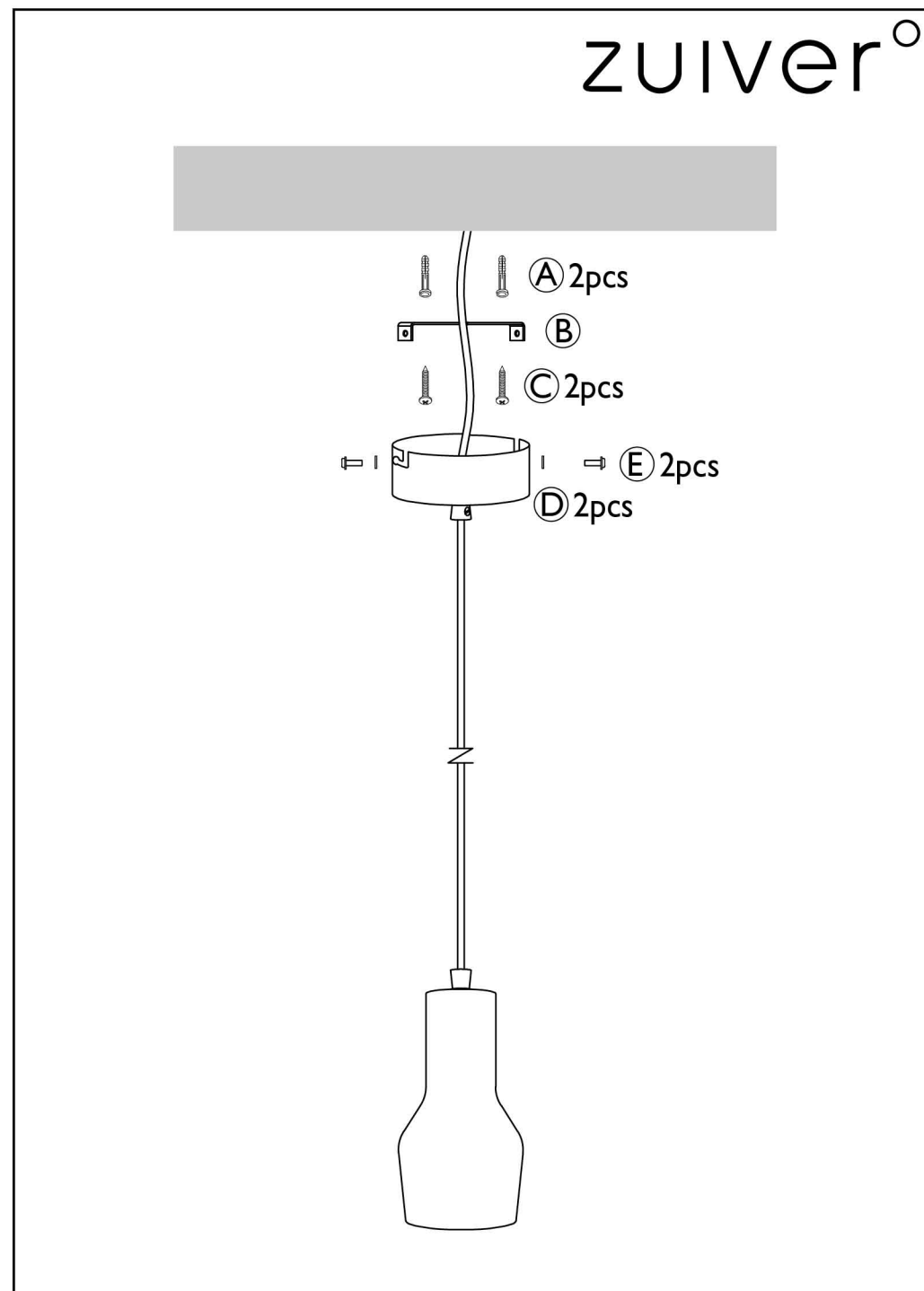
5000930 , 5000931 , 5000932 , 5300085

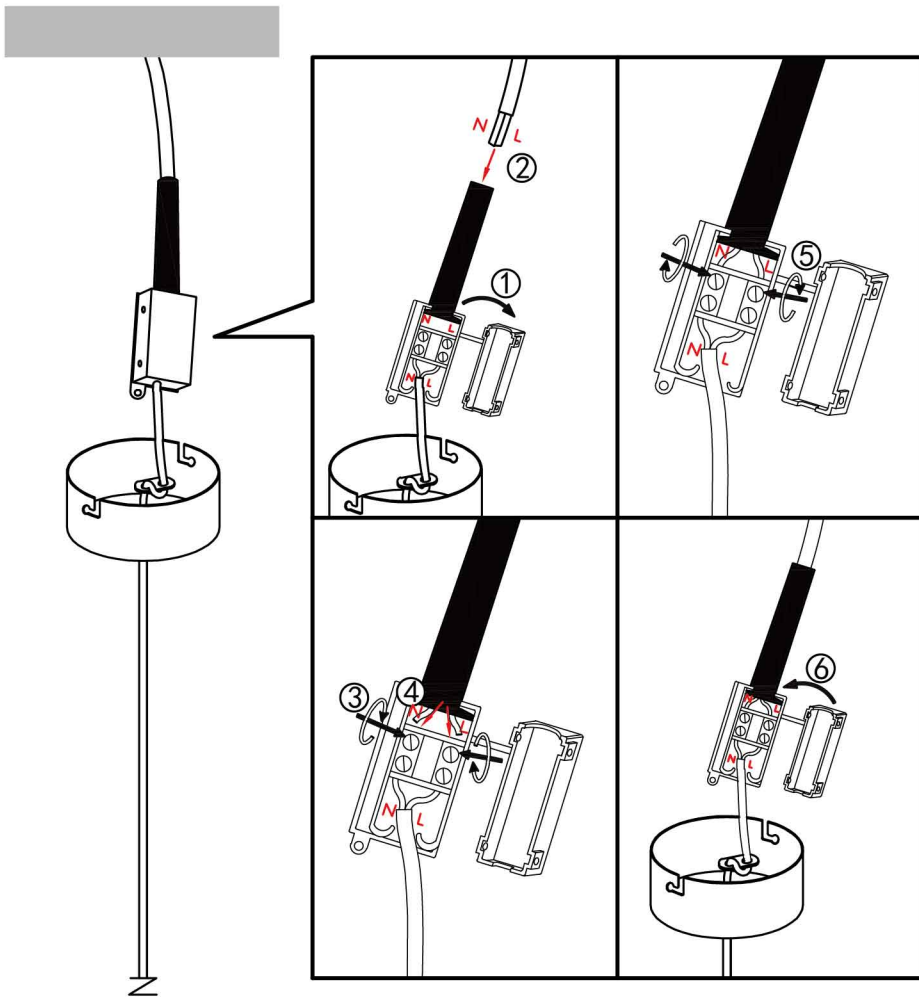
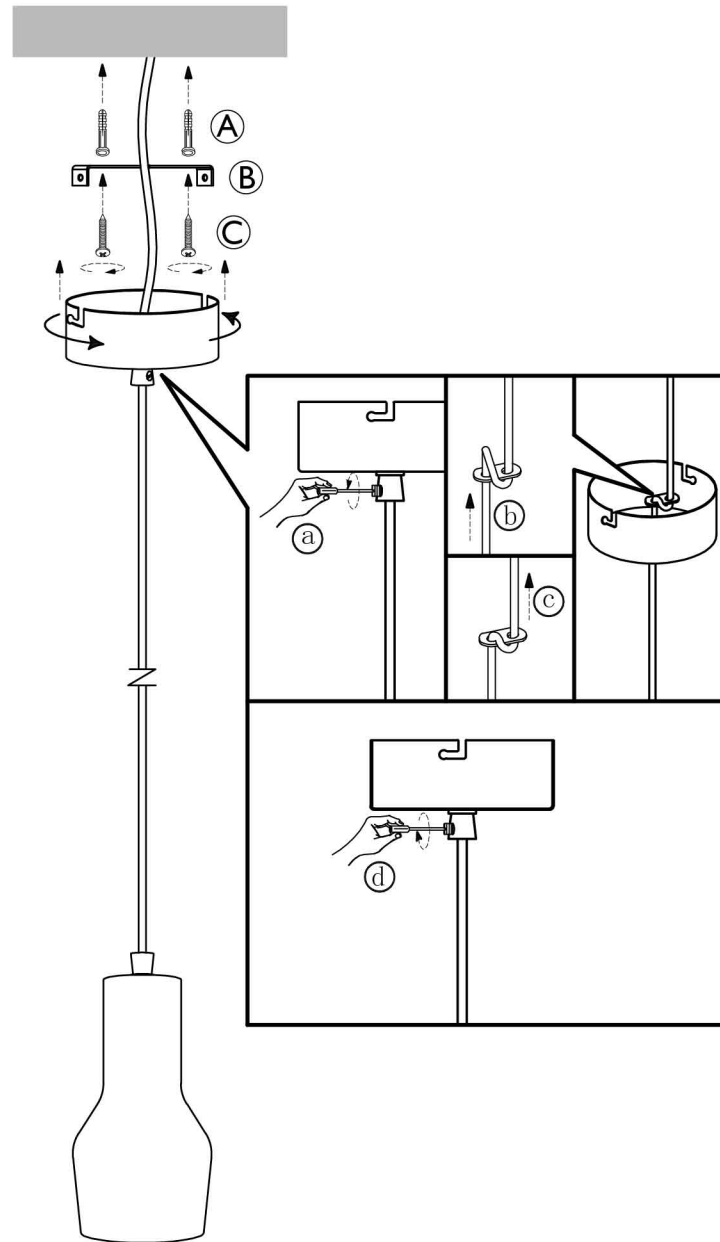
PENDANT LAMP MORA S



Caution : If the external flexible cable or cord of this luminaire is damaged, it shall be exclusively replaced by the manufacturer or its service agent or a similar qualified person in order to avoid a hazard.

ZUIVER^o



1**2****3**