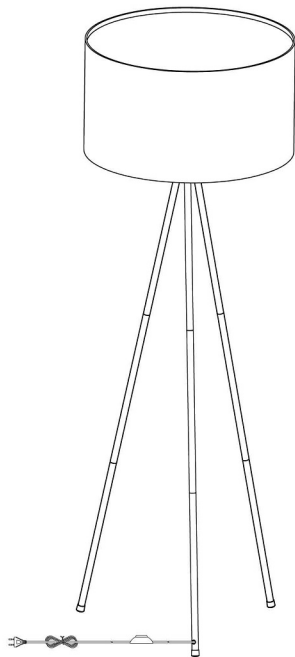


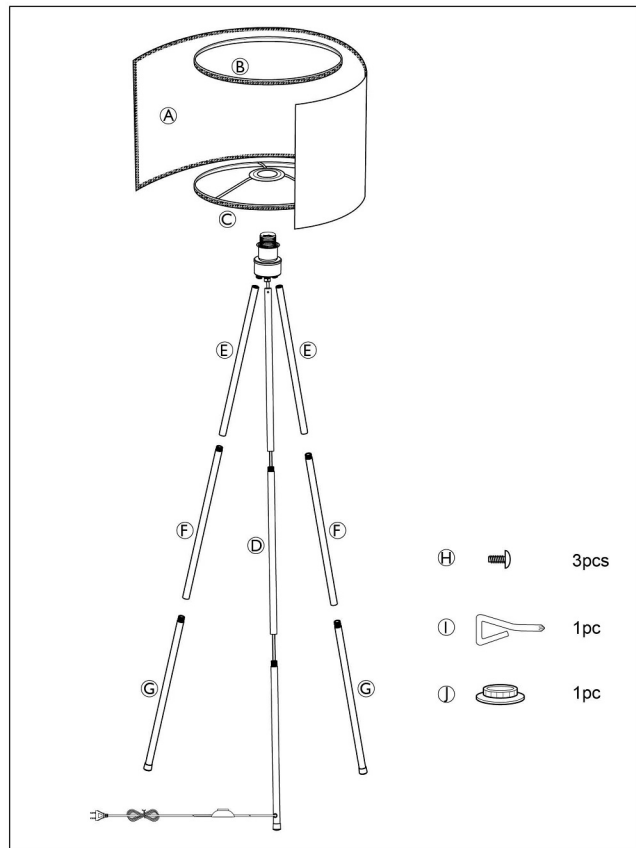
ASSEMBLY INSTRUCTIONS

5100043, 5100044 FLOOR LAMP

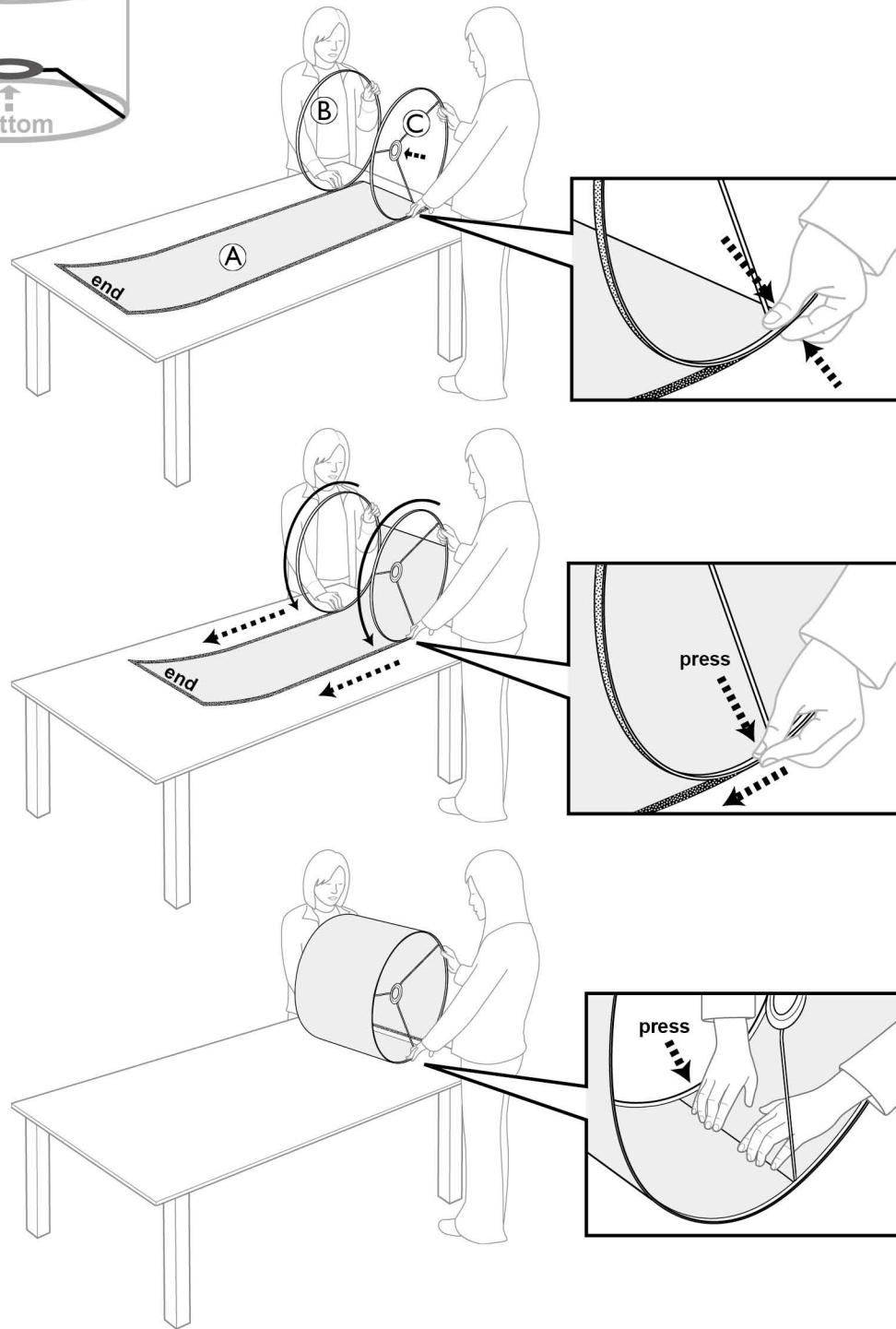
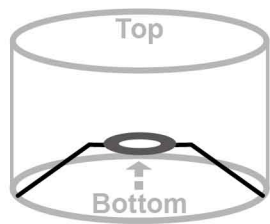


LAMPSHADE patent
USA: US 8,292,476
China: ZL200820000799.4
EU: 08014421.5-2423
Japan: 3145825
Taiwan: M350672

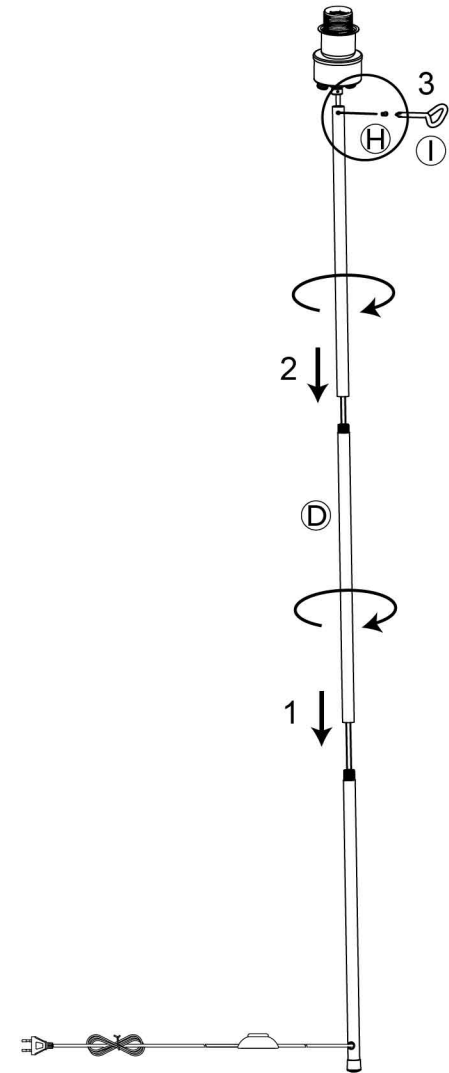
Caution : If the external flexible cable or cord of this luminaire is damaged, it should be replaced by a qualified person in order to avoid a hazard.



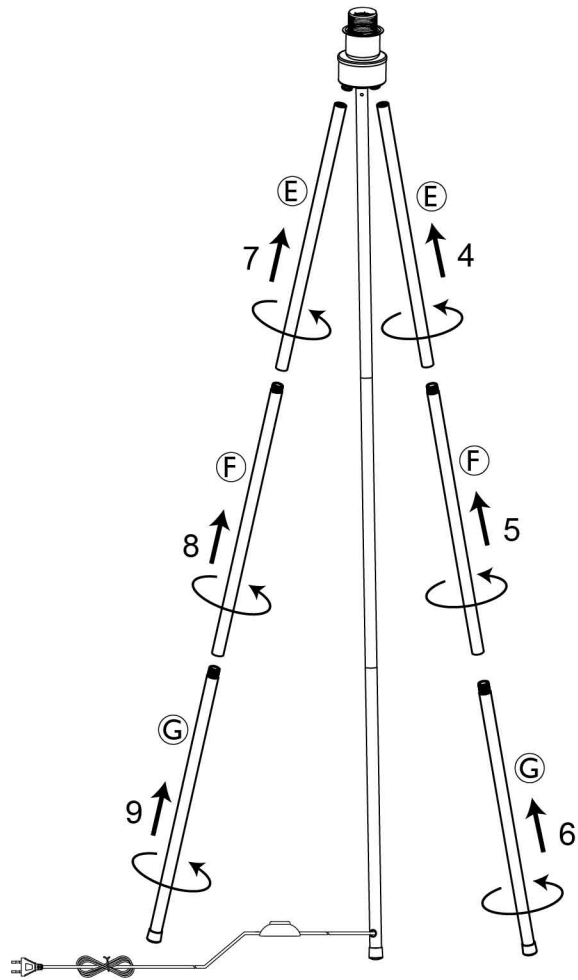
1



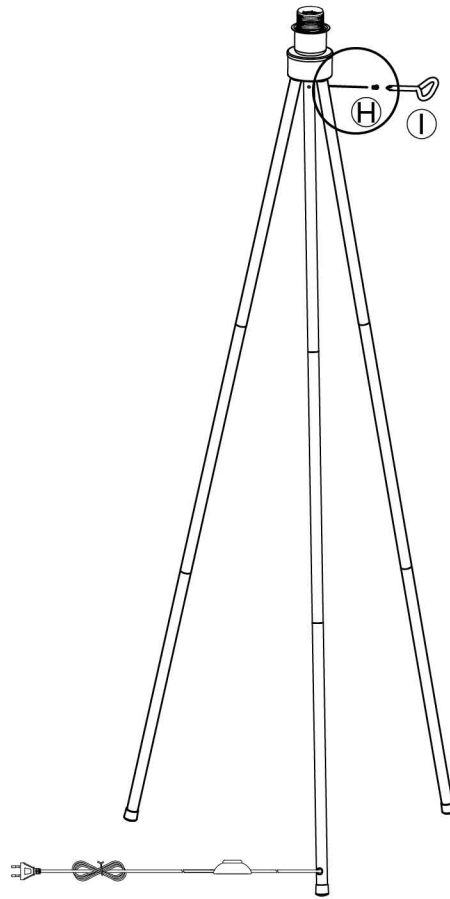
2



3



4



5

