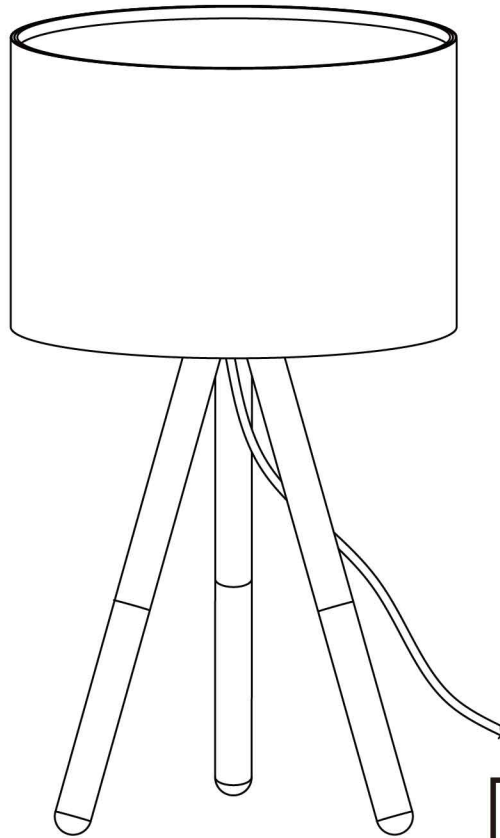


ASSEMBLY INSTRUCTIONS

5200015, 5200016, 5200017 DESK LAMP HIGHLAND

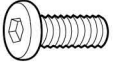





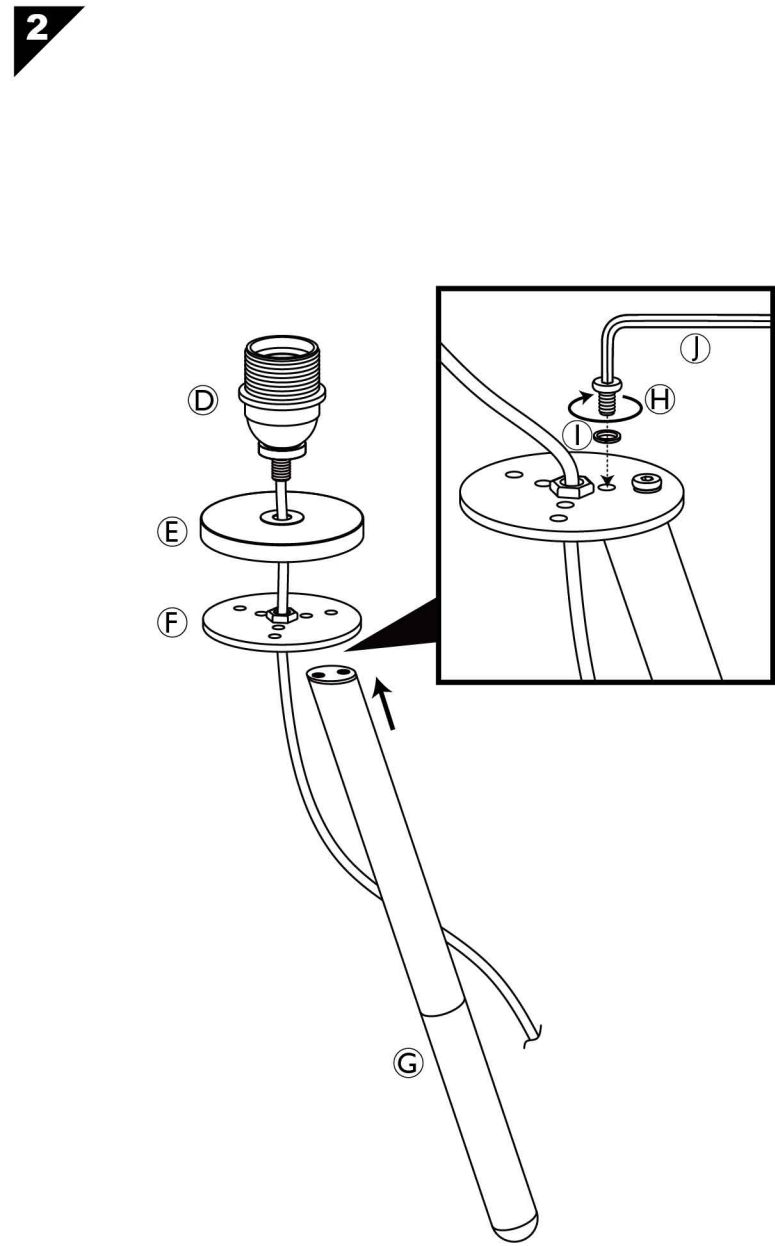
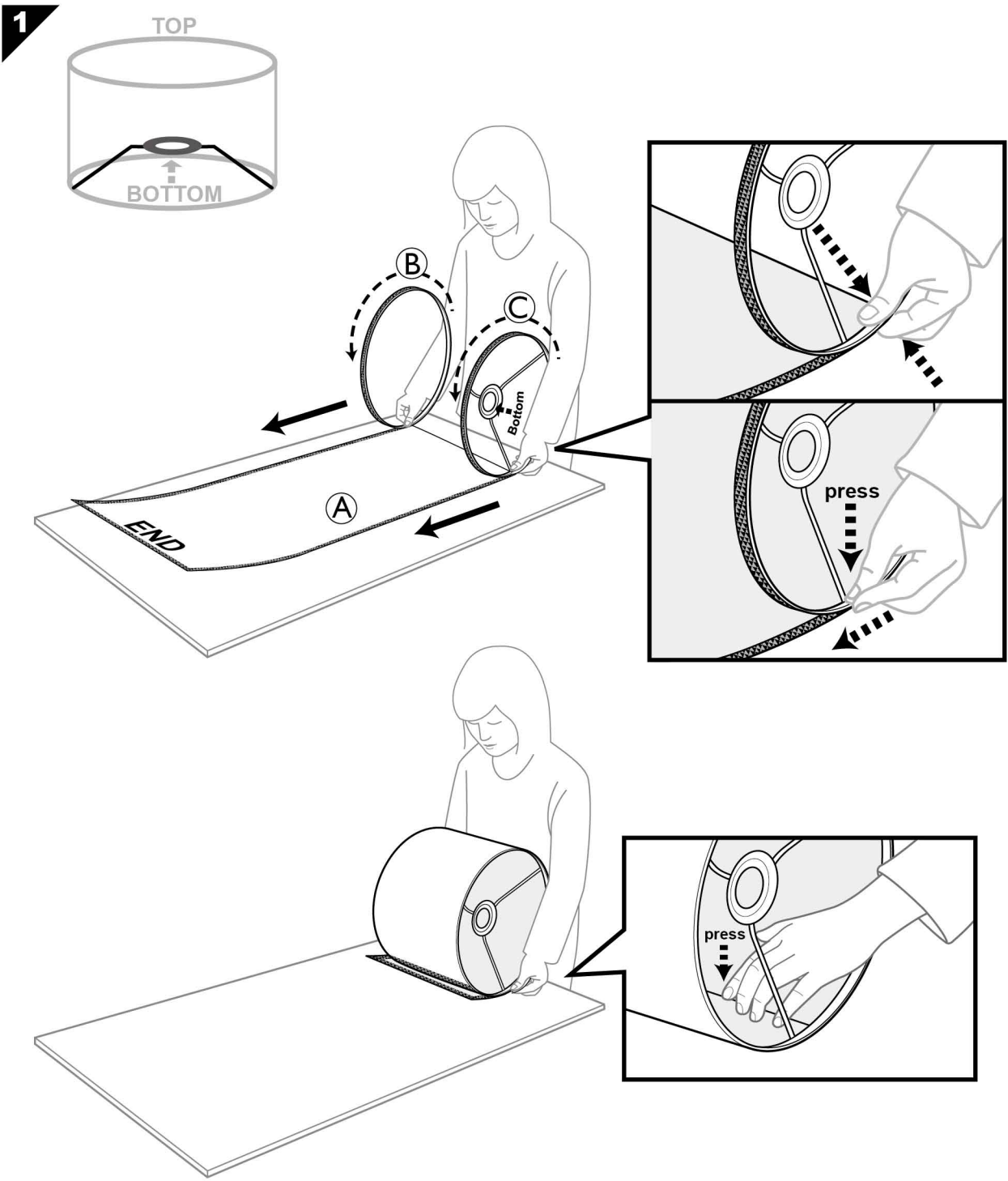
LAMPSHADE patent
USA: US 8,292,476
China: ZL200820000799.4
EU: 08014421.5-2423
Japan: 3145825
Taiwan: M350672

Caution : If the external flexible cable or cord of this luminaire is damaged, it should be replaced by a qualified person in order to avoid a hazard.

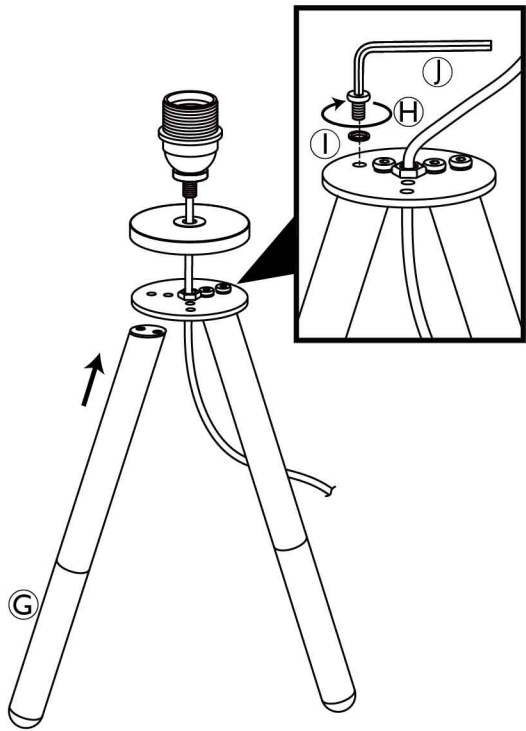
ZUIVER^o

The diagram shows the lamp's components in an exploded view. Part A is the lampshade, B is the shade's inner ring, C is the shade's base. Part D is the lamp bulb, E is the bulb socket, and F is the socket base. Part G represents the three legs of the tripod base. Part H is a screw, I is a washer, J is an L-shaped Allen key, and K is a cap.

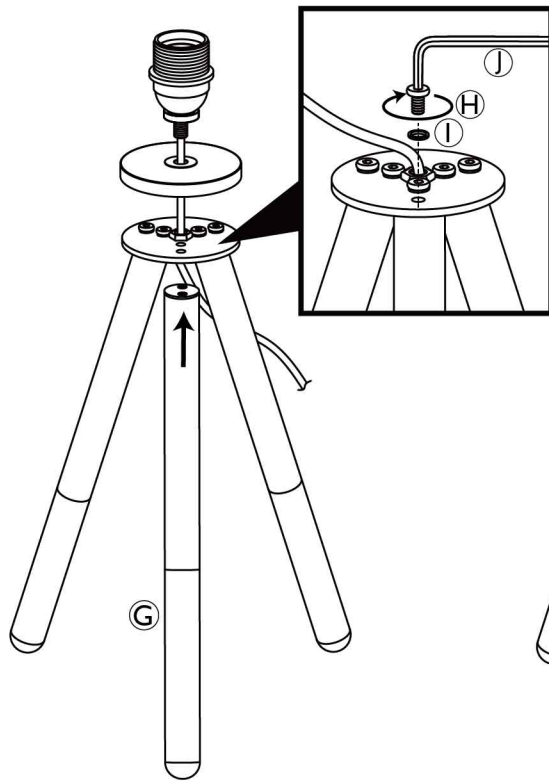
-  H 6pcs
-  I 6pcs
-  J 1pc
-  K 1pc



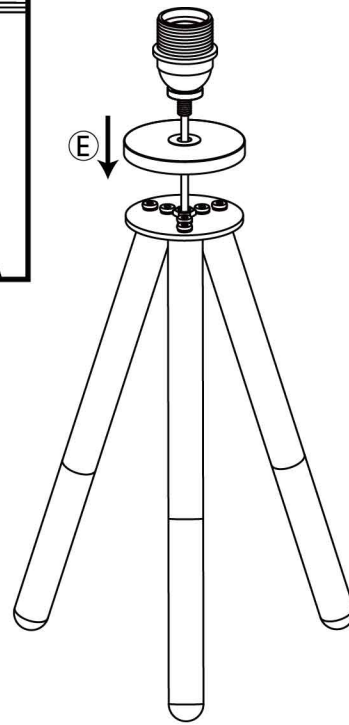
3



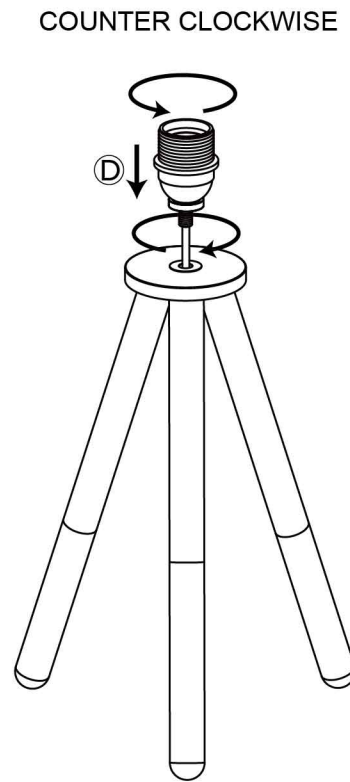
4



5



6



7

