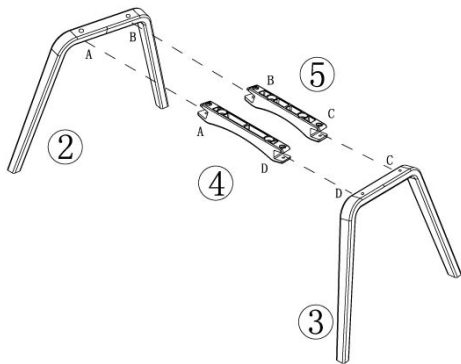


1

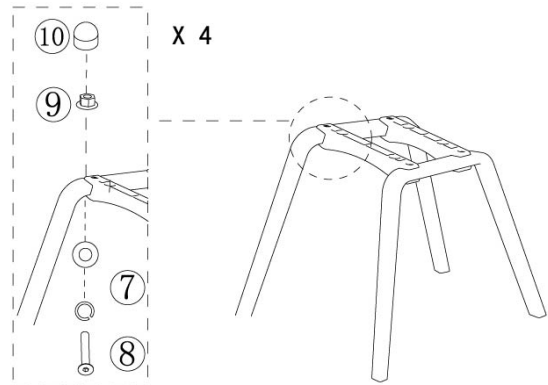
1、Installing the wooden legs and connector as shown.

! There are some letters on the wooden legs and connectors .Please according the picture and keeping the assembly sequence no change.
The wooden legs with letters are toward to the plastic parts .



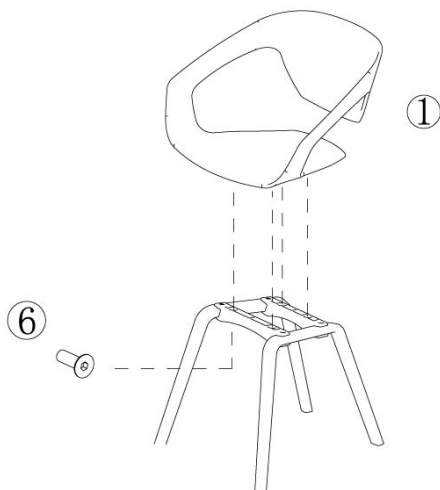
2

2、Tightened the screws sand nuts as shown .



3

3、Installing the legs part and the shell as shown..



4

! Please fasten the screws again if you find them were loosed after used long time.

