

Duux[®]

user guide!

Duux air purifier

[congratulations!]

Congratulations on the purchase of your Duux product! To use our online service, please register your product and warranty on www.duux.com/register

Duux develops reliable baby electronics with a beautiful design and maximum ease of use to make life a lot easier for parents with newborns so they can enjoy this special time. Keep the air clean and save space in style with this compact, elegant air purifier. Including detachable HEPA-filter and built-in vaporizer to spread a nice aroma through the room. The additional nightlight will make your child feel safe in the dark.

Read this manual carefully to get the most out of your air purifier.

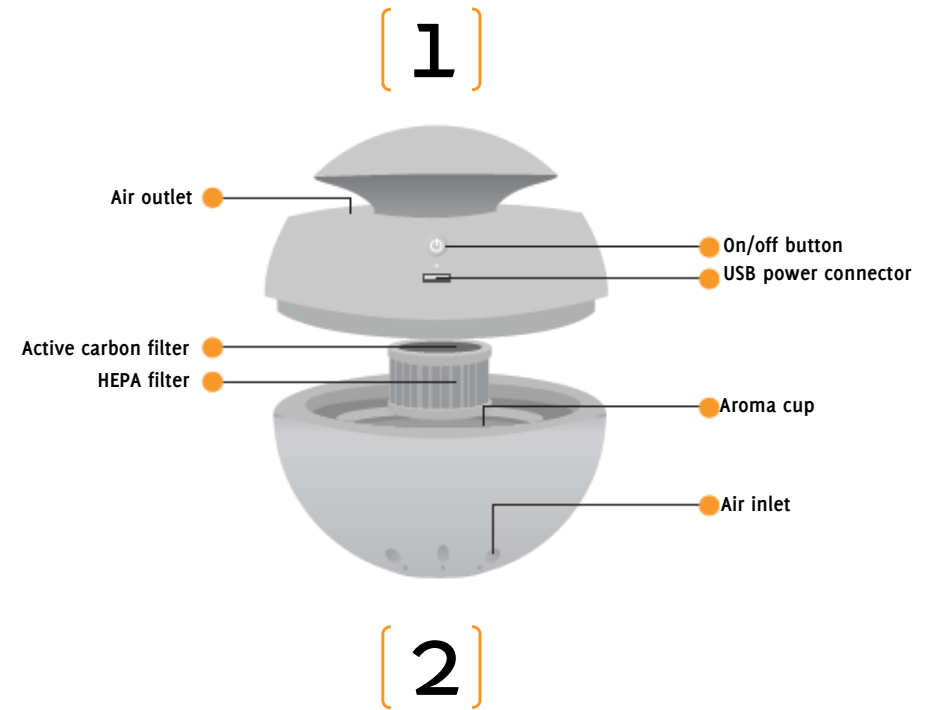
[table of contents]

1	Product overview	4	3	Installation & Use	10
	Box contents	4	4	Functions	11
	Air Purifier	4	5	Maintenance	12
	Technical specifications	7	6	Warranty & Service	13
2	Important!	8	7	FAQ	15
	General	8			
	Installation	9			
	Use	9			
	Environment	9			

1 product overview

The box contains the following parts:

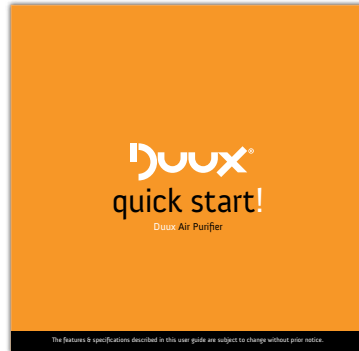
- | | |
|------------------|------|
| 1. Air Purifier | (1x) |
| 2. HEPA filter | (1x) |
| 3. Power adapter | (1x) |
| 4. User guide | (1x) |



[3]



[4]



[technical specifications]



- ▶ Operating temperature range: 10-40 °C
- ▶ Storage temperature range: 10-40 °C
- ▶ Power consumption: 5W
- ▶ Number of Cold LED's: 3
- ▶ Adapter input: AC 100-240V 50/60Hz 0.2A
- ▶ Adapter output 5.0V 1A
- ▶ Box dimensions: 220 x 220 x 220 mm (W x H x D)
- ▶ 1 year warranty
- ▶ Weight: 0.8 KG
- ▶ Operating area: 68 m./ hour

2 important!

Read these instructions carefully before using the device. Please keep this user guide for future reference.

General

- ▶ The air purifier may only be used in accordance with these instructions.
- ▶ Use only the supplied adapters
- ▶ Use and store the device at a temperature between 10°C and 40°C.
- ▶ While powered on, keep the device out of the reach of children and persons who may not be able to safely operate the air purifier.
- ▶ Ensure a good outflow of heat. Do not cover the air purifier and never use it next to a heat source. Do not expose to direct sunlight.
- ▶ Make sure the adapter cord does not get damaged and avoid tripping or falling over this cord.
- ▶ Repairs may only be performed by a qualified electrician. Do not try to repair the device yourself. Always return to the point of sale in the event of defects or damage.
- ▶ Only use accessories that are recommended by the supplier. Use of other accessories may cause damage to the baby monitor and pose a risk to the user.
- ▶ Supervise children to prevent them from playing with the appliance.

Installation

- ▶ Do not install the air purifier during a thunderstorm.
- ▶ Only connect or disconnect the adapter to the air purifier when removed from the AC power supply.
- ▶ Only use the provided adapters listed in this user guide. Check if the voltage indicated on the adapters and chargers matches the local voltage before connecting to the air purifier.

Use

- ▶ Test the air purifier before use. Become familiar with its functions and features.
- ▶ Do not place the air purifier in the bed or playpen.
- ▶ Only use the air purifier in an upright position.
- ▶ Never open the casing of the air purifier in order to prevent electric shocks. Opening the casing will invalidate the warranty.
- ▶ Always remove the plug from the cord when the air purifier is not being used.
- ▶ Do not open the top cap when powered on.

Environment

- ▶ The outer packaging of this air purifier can be returned as waste paper. However, we recommend keeping all packaging, so that the unit can be transported safely, in the appropriate packaging.

3 installation & use

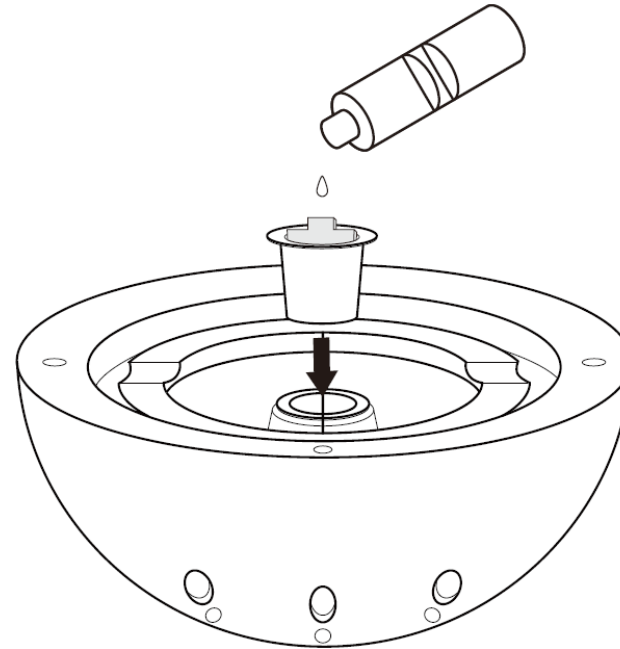
Note: make sure that the air purifier is on a flat and stable surface to prevent falling.

1. Put the power adapter in the power socket
2. Put the adapter into the air purifier(back side)
3. Switch on the air purifier by pressing the on/off button

Note: always switch off the baby projector first before disconnecting the adapter.

4 functions

1. Remove the top cap
2. Take out the aroma cup
3. Put 2-3 drops of oil in the aroma cup
4. Place the cup back, close the top cap



5 maintenance

Cleaning

Disconnect the adapter before cleaning.

Only clean the baby air purifier and adapter with a dry cloth, do not use chemical cleaners.

Make sure the cleaned air purifier is dry before connecting to the power supply.

Spare parts

Spare parts and accessories can be requested at the point of purchase.

6 warranty & service

Register your warranty on www.duux.com/register

The Duux air purifier has a warranty of 12 months after the date of purchase. During this period we guarantee the repair of defects caused by material and manufacturing defects. This must be assessed by the distributor in the country concerned.

In the event of a defect please first consult your user manual and the online FAQ (frequently updated on www.duux.com) at all times. If no solution is offered, you are requested to contact your supplier. If the supplier is unable to repair the defect, they will contact Duux customerservice.

Warranty period

- ▶ The warranty period will not be extended, even in the event of repairs being made.
- ▶ The warranty provides a right to have a product repaired but not to exchange or return a product.
- ▶ Duux's obligation under this warranty is limited to the repair or replacement of defective parts as deemed necessary and as covered under this warranty.
- ▶ Duux reserves the right to improve the design of any product without assuming any obligation to modify the previously manufactured products.
- ▶ The warranty may only be invoked if you provide Duux with the original purchase receipt along with the defective product. Your warranty registration must be on file when warranty service is required.

No warranty will be provided in the following circumstances:

- ▶ If you have made or arranged for modifications or repairs to be made without written permission first having been received from Duux or the retailer.
- ▶ Normal wear and tear or damage due to accident, carelessness, lack of maintenance, misapplication, improper use or use of accessories and parts which are not manufactured by Duux, as well as altered and/or disassembled components.
- ▶ Defects resulting from any use or maintenance other than that indicated in the user guide.

Important:

- ▶ This warranty period commences upon purchase of the product and is validated by registering online at www.duux.com.
- ▶ In the event of any dispute regarding product warranty, Duux reserves the right to take all final decisions on warranty.

This section lists the questions most frequently asked about the appliance. We will frequently update this FAQ online with the latest issues, so please keep an eye on our website www.duux.com!

Can I also use this product outside the baby room?

Of course! Because of the modern design this product can be used in any room.

How can I get aroma to use in the air purifier?

You can get small aroma bottles at your local wellness shop or on the internet. Some aroma-therapies, like eucalyptus, can be used to clean the airways when your child caught a cold.

**Why do I hear the air purifier when it's operating?**

There is a fan underneath the top lid that sucks air through the HEPA filter and produces a little noise.

What is my room is larger than specified?

Don't worry, it will not be a problem. But keep in mind that it will take longer to get the same air cleaning results.



Duux air purifier

Manufactured, distributed or sold by Duux Europe BV, owner of DUUX and the DUUX logo and other DUUX trademarks. DUUX and the DUUX logo are registered trademarks. All other product or service names are the property of their respective owners.

©Duux International BV 2012. All rights reserved.

Version 1.0



Printed in P.R.C.

The features & specifications described in this user guide are subject to change without prior notice.